



ARMORED GMC YUKON DENALI

Typically Armored to Level A9/B6+ Against 7.62x39, 5.56x45, 7.62x51, M193, & M80 ball. Can be Armored to Any Level.



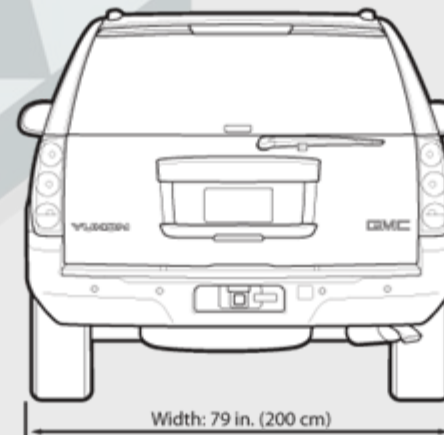
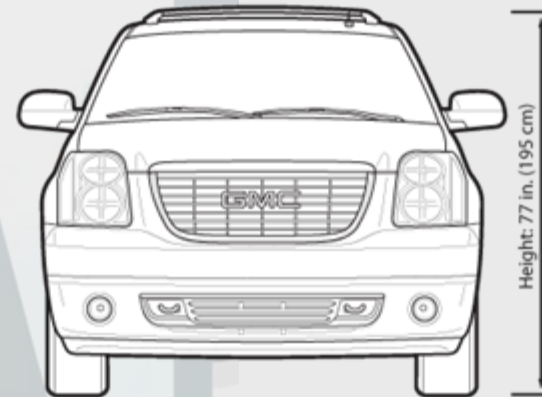
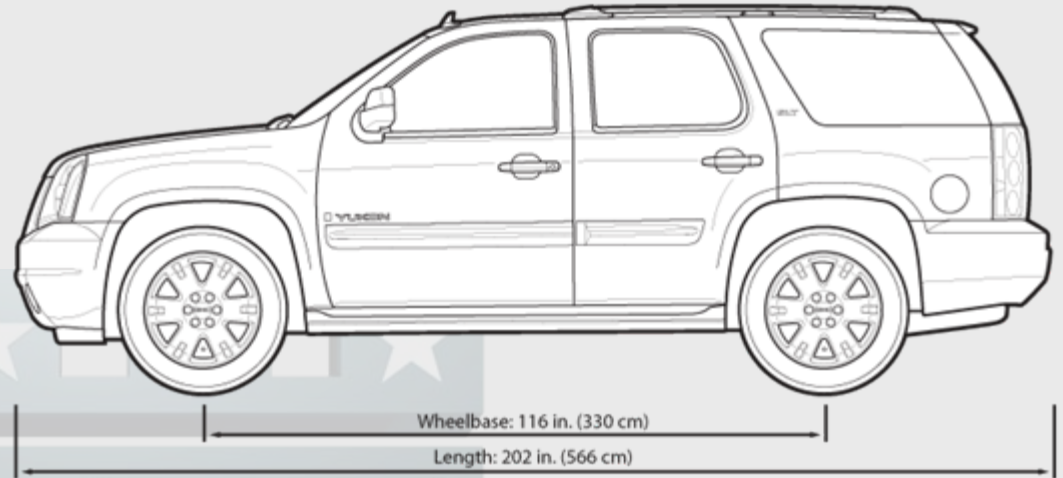
ALPINE ARMORING INC.

www.alpineco.com



BASE VEHICLE SPECIFICATIONS

- MAKE:** GMC
- MODEL:** Yukon Denali
- YEAR:** Brand New
- ENGINE:** 6.2L V8 Gasoline
- POWER:** 403 hp @ 5,700 rpm
- TRANSMISSION:** 6-Speed Automatic
- COLOR:** Client's choice
- INTERIOR:** Leather upholstery
- SEATING:** 2 + 2 + 3
- ARMORED WEIGHT:** 7,817 lbs. (3,545 kg.)





GENERAL ARMORING SPECIFICATIONS

A. Protection at **Level A9/B6+**, against high power rifles including 7.62x39, 5.56x45, 7.62x51, M193, & M80 ball

B. **Opaque Armor** (see page 4-5)

- 4 mm certified ballistic steel used throughout entire vehicle
- Everything from the floor to the battery and fuel tank are protected
- All doors have ballistic steel overlaps

C. **Transparent Armor** (see page 6)

- 40 mm multi-hit certified ballistic glass/polycarbonate
- Anti-spall layer
- Multi-layered design for maximum protection

D. **Additional Features** (see page 7)

- P.A./Multi-siren system
- Built-in intercom system
- Strobes lights mounted behind grill to maintain stock look
- Four (4) run-flat wheel inserts installed
- Tailpipe protection
- Suspension upgrades





DETAILED ARMORING SPECIFICATIONS

OPAQUE ARMOR

B. Protection at **Level A9/B6+**, against high power rifles including: **7.62x39, 5.56x45, 7.62x51, M193, & M80 ball**



Firewall

Ballistic steel firewall provides protection up front



Roof

Roof is lined with ballistic steel at an angle



Floor

Entire floor is lined with ballistic steel



Doors

All doors are lined with ballistic steel



Angle Shot Protection

B pillar reinforcement to protect from angle shots



Heavy Duty Hinges

Custom hinges that will withstand the weight of the armored doors



Fender Armoring

Front side fenders lined with ballistic steel



Wheel Wells

Front and rear wheel wells are lined with ballistic steel





DETAILED ARMORING SPECIFICATIONS

OPAQUE ARMOR Continued



Armor Overlaps

Overlaps are used for all doors and windows



Modified Glass Anchoring

Uses ballistic steel to provide enhanced blast survivability



Rear Partition

Ballistic steel rear partition with swing door on it, using heavy duty hinges to accommodate the added weight



Fuel Tank Protection

Fuel tank is encased in ballistic steel



Battery Protection

Battery is encased in ballistic steel



Engine Computer Protection

ECU is encased in ballistic steel





DETAILED ARMORING SPECIFICATIONS

TRANSPARENT ARMOR

C. All original glass is removed & replaced with NIJ certified multi-layered ballistic glass/polycarbonate



Glass Thickness
40 mm thick glass/polycarbonate



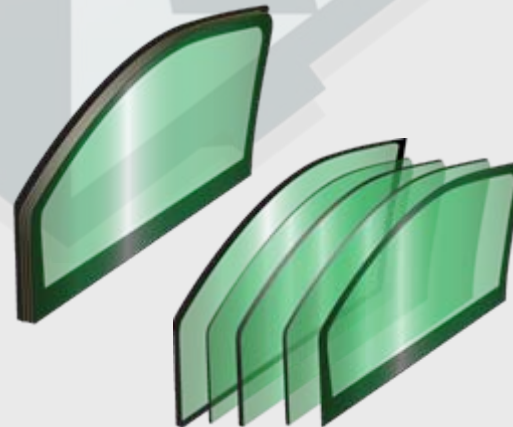
Multi-hit Protection
All windows are capable of sustaining multiple hits while providing protection to passengers



Anti-Spall
Anti-spall layer prevents glass fragments from penetrating into passenger cabin



Power Windows
Lowers approx. 5 inches



Layered Design
Layered glass and composites protect against multiple hits, providing more time to escape.
Multi-Layered High Optics
Factory tinted Glass/Polycarbonate

"no one protects you better"





DETAILED ARMORING SPECIFICATIONS

ADDITIONAL FEATURES

D. Other features included are pictured below



P.A./Multi-Siren System

Features exterior mounted speaker/siren. Interior dash-mounted quick select siren and microphone



Strobe Lights

Strobes are mounted behind the front grill to maintain a low-profile look



Intercom System

Allows driver to communicate with people outside of the vehicle without opening any windows



Intercom Microphones

Mini microphones are installed outside and in the cabin



Run-Flat Inserts

Four (4) run-flats installed. Rated for 50km/h (30 miles @ 30mph)



Tailpipe Protection

Protects exhaust pipe from being sabotaged



Suspension Upgrades

All springs and shocks are replaced with upgraded models



Reinforced Bumpers

Additional reinforcement mounted behind bumpers. Maintains low-profile look

"no one protects you better"





GENERAL OEM SPECIFICATIONS

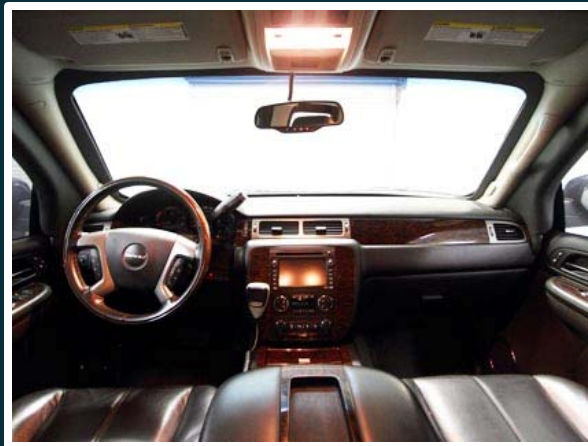
- Adjustable pedals
- Cruise control
- Rear locking differential
- Front and rear cupholders
- Front door pockets
- Overhead console with storage
- Retained accessory power
- Front seatback storage
- Power steering
- Universal remote transmitter
- 12V front, rear & cargo area power outlet
- Rear parking sensors
- Tilt-adjustable steering wheel
- Audio and cruise controls on steering wheel
- Hands-Free Calling
- Roadside Assistance
- Destination guidance
- Destination Download
- Three zone climate control
- Sun sensor
- Cargo area light
- Simulated wood trim on center console
- Simulated wood & simulated alloy trim on dash
- Simulated wood trim on doors
- Front and rear reading lights
- Leather and wood steering wheel
- Front and rear floor mats
- Heated steering wheel
- Turn signal in mirrors
- Electrochromatic inside rearview mirror
- Dual illuminating vanity mirrors
- Bose premium brand speakers
- Separate rear audio
- 10 total speakers
- AM/FM in-dash single CD player with CD MP3
- XM w/NavTraffic satellite radio
- Adjustable speed sensitive volume control
- Auxiliary audio input and iPod integration
- Radio data system
- USB connection
- DVD based display and navigation system
- Bluetooth wireless data link
- Real time traffic
- Rear Seat DVD Entertainment System
- 2nd Row 60/40 Split-Folding Bench Seat
- AM/FM Stereo w/CD/DVD Player & Navigation
- 4-wheel ABS
- Child seat anchors
- Remote anti-theft alarm system
- Front and rear ventilated disc brakes
- Rear door child safety locks
- Daytime running lights
- Engine immobilizer
- Front fog/driving lights
- Auto delay off headlamps
- Dusk sensing headlamps
- 2 front headrests
- 2 rear headrests
- Front seatbelt pretensioners
- Turn signal mirrors
- Stability control
- Traction control
- Electronic brakeforce distribution
- Post-collision safety system
- Tire pressure monitoring
- Emergency Service
- Stolen Vehicle Tracking/Assistance
- Engine Block Heater
- Integrated Trailer Brake Controller
- Short and long arm front suspension
- Multi-link rear suspension
- Front independent suspension
- Front and rear stabilizer bar
- Drive type: rear wheel drive
- Rear locking differential
- Power Retractable Assist Steps
- Front License Plate Bracket
- Auxiliary transmission fluid cooler
- Step running boards
- Manual flip-up liftgate window
- Rear power liftgate door
- Variable intermittent wipers
- Privacy glass
- Rear defogger
- Intermittent rear wiper
- Roof rack
- Chrome grille
- Multi-level heating passenger seat
- 8-way power front seats
- Multi-level heating driver seat
- Height adjustable driver seat
- Height adjustable passenger seat
- Premium leather
- Bucket front seats
- Folding rear seatback
- Reclining rear seats
- Manual folding split-bench third row seats
- Rear ventilation ducts
- Remote power door locks
- Reverse tilt dual mirrors
- Power and heated mirrors





COMPLETED VEHICLE

EXTERIOR-INTERIOR PHOTOS



"no one
protects you
better"





ALPINE'S BALLISTIC CHART

ALPINE ARMORING INC.

| LEVEL | CALIBER | TYPE | MASS (gram) | MATERIAL | VELOCITY m's (ft's) (a) | SHOTS | UL (b) | NIJ (f) | CEN | DIN |
|-------|--------------|--------------------|-------------|----------|-------------------------|-------|--------|------------|--------|-----|
| A1 | 9 x 19 mm | Handgun (Pistol) | 8 | LCCJ | 358 (1,175) | 5 (e) | 1 | I, IIA, II | — | 1 |
| A2 | .357 Magnum | Handgun (Pistol) | 10.2 | JSP | 430 (1,410) | 5 (e) | 2 | IIA, II | B1, B3 | 2 |
| A3 | .44 Magnum | Handgun (Revolver) | 15.6 | LWC | 440 (1,443) | 5 (e) | 3 | IIIA | B4 | 3 |
| A4 | 9 x 19 mm | Sub-machinegun | 8 | LCCJ | 427 (1,400) | 5 (e) | 6 | IIIA | B2 | — |
| A5 | 7.62 x 25 mm | Handgun (Tokorev) | 5.5 | LCSJ | 488 (1,600) | 5 (e) | — | — | — | — |
| A6 | 7.62 x 39 mm | AK-47 (HP Rifle) | 9.7 | SCCJ (d) | 732 (2,400) | 5 (e) | — | — | — | — |
| A7 | .30 - 06 | HP Rifle | 11.7 | JSP | 774 (2,540) | 5 (e) | 4 | — | — | — |
| A8 | 5.56 x 45 mm | HP Rifle (M-16) | 3.6 | LCCJ (d) | 991 (3,250) | 5 (e) | 7 | — | B5 | 4 |
| A9 | 7.62 x 51 mm | HP Rifle / M193 | 9.7 | LCSJ (d) | 838 (2,750) | 5 (e) | 5, 8 | III | B6 | 5 |
| A10 | .30 - 06 | HP Rifle | 10.8 | AP (d) | 869 (2,850) | 3 (e) | — | IV | B7 | — |
| SG | 12 Gauge | Shotgun | 28.3 | Slug | 503 (1,650) | 3 (c) | SG | — | SG2 | SG2 |

- UL:** Underwriters Laboratory, 752
- NIJ:** National Institute of Justice, 0108.01
- CEN:** European Standard
- DIN:** German Standards, 52290
- STANAG:** NATO

- LCCJ:** Lead Core Copper Jacket
- JSP:** Jacketed Soft Point
- LWC:** Lead Wad Cutter
- LCSJ:** Lead Core Steel Jacket
- SCCJ:** Steel Core Copper Jacket
- AP:** Armor Piercing
- SG:** Shotgun
- (A)** Minimum Measured Velocity
- (B)** Ambient Temperature Only
- (C)** 11.4 cm Triangular Pattern
- (D)** Military Ammunition, All Other Commercial
- (E)** Corners & Center of 11.4 Square Pattern
- (F)** Levels I, II, IIA & IIIA based on 1 of 2 Required Calibers of Ballistic Threat

"no one protects you better"





★ WARRANTY ★

GMC YUKON DENALI

The vehicle above is under Alpine's premium warranty covering all its armored parts and labor as well as all added accessories for one full year, effective the date of final delivery to the client.

Alpine Armoring Inc. hereby honors this warranty, in the United States and worldwide, against any and all related manufacturer's defects.

MANAGEMENT AUTHORIZED
ALPINE ARMORING INC.
HERNDON, VIRGINIA, USA

DATE SIGNED

