



**ARMORED TOYOTA  
LAND CRUISER GXL**  
(RIGHT HAND DRIVE)



**Professionally Armored to Level A9/B6+  
7.62x39, 5.56x45, 7.62x51, M193, & M80 ball**

**This vehicle is available  
for immediate delivery**

**ALPINE ARMORING INC.**

[www.alpineco.com](http://www.alpineco.com)

## BASE VEHICLE SPECIFICATIONS

**MAKE:** Toyota

**MODEL:** Land Cruiser GXL 4x4 (RHD)

**VIN:** **JTEEB71J607006663**

**YEAR:** 2010 (Brand New)

**ENGINE:** 4.5 L. V8 Turbo Diesel

**POWER:** 202 HP @ 3400 RPM

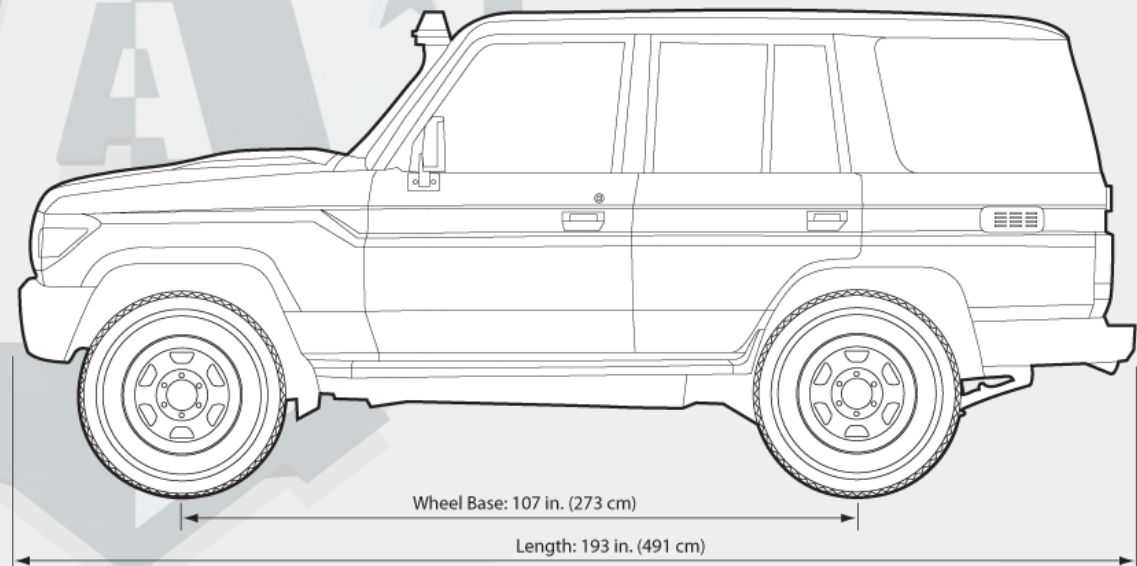
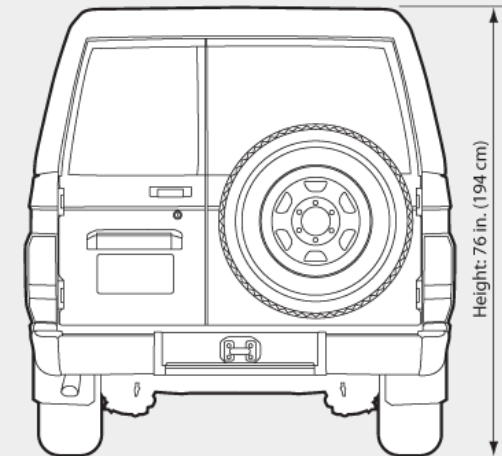
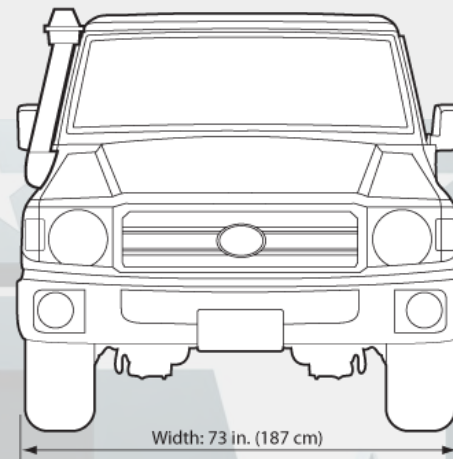
**TRANSMISSION:** 5-Speed Manual

**COLOR:** Gray

**INTERIOR:** Gray Vinyl

**SEATING:** 2 + 2 + 2

**WEIGHT:** 6,280 lbs. (Armored)



Original Vehicle's [Title](#)

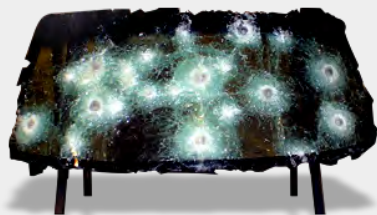
OEM's [Window Sticker](#)

## GENERAL ARMORING SPECIFICATIONS

- A. Protection at **Level A9/B6+**, against high power rifles including **7.62x39, 5.56x45, 7.62x51, M193, & M80 ball** (see page 4)
- B. All original glass is removed and replaced with NIJ certified multi-layered ballistic glass/polycarbonate (see page 5)
- C. 4 mm ballistic steel shell installed between interior and exterior frame/chassis (see page 6)
- D. Floor has anti-mine protection including DM51 grenade/fragmentation using ballistic steel (see page 7)
- E. Roof (at an angle) using ballistic steel for maximum protection (see page 7)
- F. Patented designed armoring for firewall and wheel wells for added protection (see page 7)
- G. Additional areas of armoring are the fuel tank and battery (see page 8)
- H. A complete set of four (4) high grade Run-Flats installed (see page 8)

## OPTIONAL EQUIPMENT (included)

- I. Front power windows (see page 5)
- J. Tailpipe protection (see page 8)
- K. Fuel tank and battery protection (see page 8)
- L. Rear door gun port (see page 8)



## DETAILED ARMORING SPECIFICATIONS

### OPAQUE AREAS & PASSENGER COMPARTMENT

A. Protection at **Level A9/B6+**, against high power rifles including: **7.62x39, 5.56x45, 7.62x51, M193, & M80 ball**



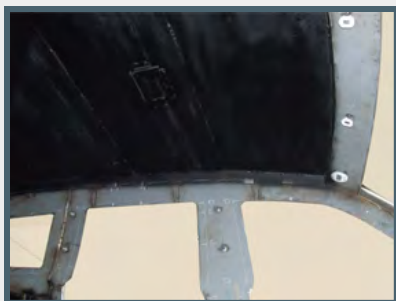
#### Full Protection

Ballistic steel lines the entire passenger cabin to provide you protection and peace of mind



#### Structure

Ballistic steel lines the entire passenger cabin to provide you protection and peace of mind



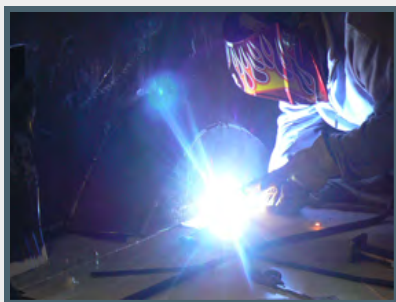
#### Roof

Lined with ballistic steel



#### Individual Components

Components such as the battery are individually protected



#### Quality Craftsmanship

Using patented welding and fabrication methods, quality is guaranteed

## DETAILED ARMORING SPECIFICATIONS

### TRANSPARENT AREAS

B. All original glass is removed & replaced with NIJ certified multi-layered ballistic glass/polycarbonate



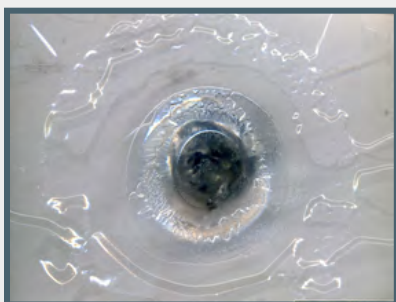
#### Layered Design

Layered glass and composites protect against multiple hits, providing more time to escape



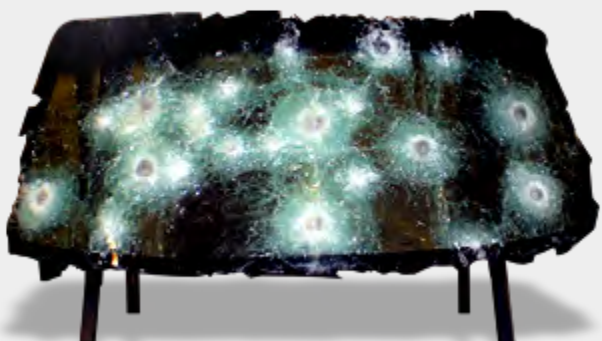
#### Window Thickness

40 mm thick for maximum protection

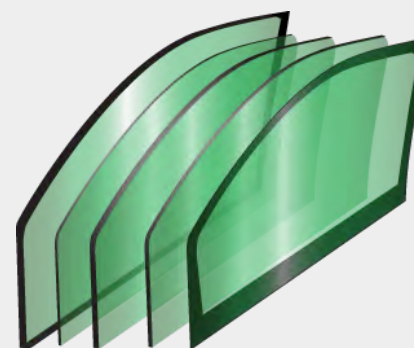


#### Anti-Spall

Anti-spall layer prevents glass fragments from penetrating into passenger cabin



Multi-Layered High Optics  
Factory tinted Glass/Polycarbonate



**DETAILED ARMORING SPECIFICATIONS****PASSENGER COMPARTMENT**

C. 4 mm ballistic steel shell installed between interior and exterior frame/chassis

**Door Overlaps**

All door overlaps (extra padding used) protect against penetration from every angle

**Rear Partition w/Door**

Separate armored rear partition with ballistic steel door and ballistic glass

**Heavy Duty Door Hinges**

Heavy duty hinges have been installed to accommodate the additional weight of the armor

**Structure**

The entire interior structure is protected using ballistic material

**Full Coverage**

Entire passenger compartment is lined with ballistic steel and ballistic composite, ensuring your protection

**DETAILED ARMORING SPECIFICATIONS****FLOOR, FIREWALL, AND INTERIOR AREAS**

D. Floor: Anti-mine protection including DM51 grenade/fragmentation using composite materials and ballistic steel

**Floor**

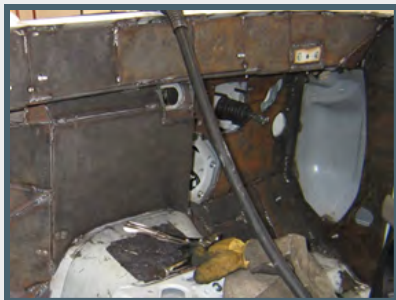
Patented interior floor armoring design protects against mine and DM51 grenade attacks

E. Roof (at an angle) using ballistic steel for maximum protection

**Roof**

End-to-end coverage for maximum protection

F. Patented designed armoring for firewall and wheel wells for added protection

**Firewall**

Ballistic steel used to add protection to the firewall

**Wheel Wells**

For Additional Protection

## DETAILED ARMORING SPECIFICATIONS

### BATTERY, FUEL TANK, & RUN-FLATS

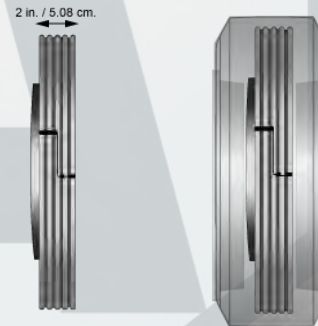
G. Additional areas of armoring are the battery and fuel tank

- Patented protection for sensitive components



H. A complete set of four (4) Run-Flats

- Installs around inside of wheel



I. Built-in Rear Door Gun Port



## GENERAL OEM SPECIFICATIONS

### COMFORT & CONVENIENCE

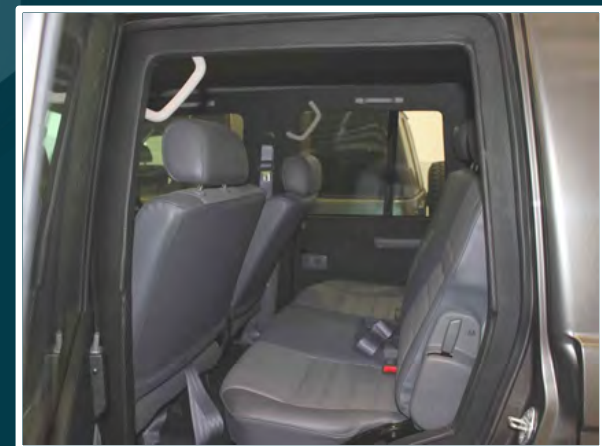
- Engine immobilizer
- Remote/Keyless central locking
- Power steering
- Tilt adjustable steering wheel
- Manual adjustable mirrors
- Left hand convex mirror
- Interior Day/Night mirror
- Intermittent windscreen wipers
- Variable intermittent windscreen wipers
- Rear washer and wiper
- Intermittent rear wiper
- Tachometer
- Low fuel warning lamp
- Air conditioning
- Front & Rear Power Windows
- Fabric Seat Trim
- Front Air Bags-Driver & passenger
- Assist grips 3 & with front & rear seatbelts.
- Grab handles
- Front bucket seats
- Driver's seat - Manual adjustments
- Front Passenger seat - Manual adjustments
- Front seat head restraints
- Interior dome light
- Glove box
- AM/FM Radio with power aerial
- Single CD player
- Speakers 4
- Bluetooth communication.
- Central locking / Power door locks
- Includes boot/tailgate unlock with central locking
- Lockable glove box
- Remote fuel lid release
- Security coded radio
- Color keyed / painted bumper/s
- Multi-reflector headlights
- Chrome mirrors
- Chrome door handles
- Alloy Wheels 16"
- Side steps
- Underbody protection plates
- Air cleaner snorkel
- 4-Door w/5 seats
- Map Pocket-Driver's & Passenger Seat
- Door Pockets Front
- Sound System
- Storage pocket/tray



### [OEM Window Sticker](#)

COMPLETED VEHICLE

EXTERIOR-INTERIOR PHOTOS



# ALPINE'S BALLISTIC CHART

ALPINE ARMORING INC.

LEVEL	CALIBER	TYPE	MASS (gram)	MATERIAL	VELOCITY m/s (ft/s) (a)	SHOTS	UL (b)	NIJ (f)	CEN	DIN
A1	9 x 19 mm	Handgun (Pistol)	8	LCCJ	358 (1,175)	5 (e)	1	I, IIA, II	—	1
A2	.357 Magnum	Handgun (Pistol)	10.2	JSP	430 (1,410)	5 (e)	2	IIA, II	B1, B3	2
A3	.44 Magnum	Handgun (Revolver)	15.6	LWC	440 (1,443)	5 (e)	3	IIIA	B4	3
A4	9 x 19 mm	Sub-machinegun	8	LCCJ	427 (1,400)	5 (e)	6	IIIA	B2	—
A5	7.62 x 25 mm	Handgun (Tokorev)	5.5	LCSJ	488 (1,600)	5 (e)	—	—	—	—
A6	7.62 x 39 mm	AK-47 (HP Rifle)	9.7	SCCJ (d)	732 (2,400)	5 (e)	—	—	—	—
A7	.30 - 06	HP Rifle	11.7	JSP	774 (2,540)	5 (e)	4	—	—	—
A8	5.56 x 45 mm	HP Rifle (M-16)	3.6	LCCJ (d)	991 (3,250)	5 (e)	7	—	B5	4
A9	7.62 x 51 mm	HP Rifle / M193	9.7	LCSJ (d)	838 (2,750)	5 (e)	5, 8	III	B6	5
A10	.30 - 06	HP Rifle	10.8	AP (d)	869 (2,850)	3 (e)	—	IV	B7	—
SG	12 Gauge	Shotgun	28.3	Slug	503 (1,650)	3 (c)	SG	—	SG2	SG2

- UL:** Underwriters Laboratory, 752
- NIJ:** National Institute of Justice, 0108.01
- CEN:** European Standard
- DIN:** German Standards, 52290
- STANAG:** NATO

- LCCJ:** Lead Core Copper Jacket
- JSP:** Jacketed Soft Point
- LWC:** Lead Wad Cutter
- LCSJ:** Lead Core Steel Jacket
- SCCJ:** Steel Core Copper Jacket
- AP:** Armor Piercing
- SG:** Shotgun
- (A)** Minimum Measured Velocity
- (B)** Ambient Temperature Only
- (C)** 11.4 cm Triangular Patter
- (D)** Military Ammunition, All Other Commercial
- (E)** Corners & Center of 11.4 Square Pattern
- (F)** Levels I, II, IIA & IIIA based on 1 of 2 Required Calibers of Ballistic Threat

"no one protects you better."





# WARRANTY

**TOYOTA LAND CRUISER GXL 76 SERIES**  
VIN: JTEEB71J607006663

The vehicle above is under Alpine's premium warranty covering all its armored parts and labor as well as all added accessories for one full year, effective the date of final delivery to the client.

Alpine Armoring Inc. hereby honors this warranty, in the United States and worldwide, against any and all related manufacturer's defects.

MANAGEMENT AUTHORIZED  
ALPINE ARMORING INC.  
HERNDON, VIRGINIA, USA

\_\_\_\_\_  
DATE SIGNED

Original Vehicle's [Title](#)

OEM's [Window Sticker](#)





# Certificate of Ballistic Standards

TOYOTA LAND CRUISER GXL 76 SERIES  
VIN: JTEEB71J607006663

The vehicle above is hereby certified according to level **A9/B6+**. The materials, both opaque and transparent (including ballistic hardened steel, all glass and/or any special composite material), used in armoring this vehicle have been tested and certified by an authorized independent laboratory.

**CONVERSION:** Entire passenger area (Transparent and Opaque), roof, and especially floor, plus firewall and wheel wells. Battery, computer module and fuel tank are also protected.

- Full multi-hit (5 rounds) protection against high power rifles (A9/B6+), including **AK47, 7.62x39, 5.56x45, 7.62x51, M193 & M80 ball**
- All original glass is removed and replaced with high quality no spall NIJ tested Multi-layered ballistic polycarbonate/glass
- All opaque materials surrounding the passenger area are replaced with hardened ballistic NIJ certified steel
- All overlap areas are protected separately with multilayered padding on both sides
- Protection for the floor (against mines/fragmentation including two DM51 anti-personnel hand grenade) using ballistic composite
- Protection for the roof (at or above 45° angle) using special ballistic steel
- Separate ballistic protection for the battery and engine bay
- Patented design armoring for firewall and all wheel wells

Management  
Alpine Armoring Inc.  
Herndon, Virginia, USA

\_\_\_\_\_

Date