



"no one protects you better"



MERCEDES-BENZ SPRINTER 3500

PROFESSIONALLY ARMORED VAN

Alpine Armoring's Mercedes-Benz Sprinter van is designed and manufactured using the latest armoring technology plus two decades of experience with proven performance and reliability. Alpine Armoring's armored Mercedes-Benz Sprinter van is a highly versatile car equipped with unrivaled protection and customized accessories. Featuring the latest technology in materials science and state-of-the-art armoring, our clients can now experience both protection & safety in this armored van.

VEHICLE SPECIFICATIONS

Make	Mercedes-Benz	Engine	3.0L V6 Turbo Diesel	Height	111 in (282 cm)
Model*	Sprinter 3500	Power	188 hp / 325 ft-lbs torque	Length	290 in (737 cm)
Armor Level	A9/B6+ or Higher	Transmission	5-Speed	Width	79 in (201 cm)
GVWR	5,125 kg	Wheels..	17" Alloy Machined Aluminum	Wheelbase	170 in (432 cm)
Armored Weight (approx.)	4,520 kg	Tires	275/85R16	Clearance	10 in (15 cm)

* Trim and options package on actual model may vary

GENERAL ARMORING SPECIFICATIONS

- All opaque material around passenger area is retrofitted with ballistic steel and/or composite material
- Roof (at an angle) & floor (anti-mine protection including DM51 grenade/fragmentation)
- Protection against high-power rifles including 7.62x39, 5.56x45, 7.62x51 and M80 ball
- Additional areas of armoring are the fuel tank, battery and computer module
- Original glass is replaced with laboratory-tested multilayered ballistic glass
- P.A./multi-siren system and LED strobe lights, per client's specifications
- Reinforced door hinges to support additional weight of the armor
- Patented designed armoring for the firewall and the wheel wells
- A complete set of high-grade Run-Flat devices are installed
- All door and window openings feature overlapped steel
- Rear cargo area with double door protection
- Additional protection for the floor and the radiator
- Vision enhancement systems (cameras/monitor)
- Driver side and passenger side gun-ports
- Customized steel mesh tailpipe protection
- Customization per client's specifications



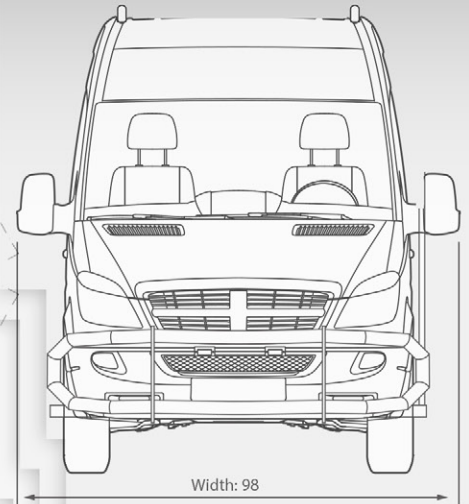
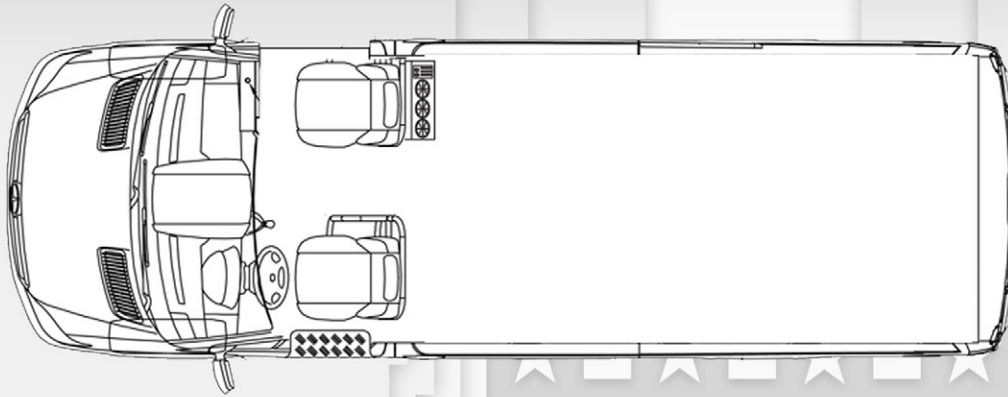
alpineco.com



MERCEDES-BENZ SPRINTER 3500

PROFESSIONALLY ARMORED TRUCK

"no one
protects you
better!"



** These schematics represent typical armoring of a truck. The final vehicle (Mercedes-Benz Sprinter 3500) may vary depending on the client's required specifications. **

- (A) Battery protection
- (B) Firewall protection
- (C) Engine computer protection
- (D) Composite run-flats
- (E) Window anchors

- (F) Heavy-duty door hinges
- (G) Roof protection
- (H) Transparent armor
- (I) Door protection
- (J) Steel door overlaps

- (K) Pillar protection
- (L) Floor protection
- (M) Wheel well protection
- (N) Fuel tank protection
- (O) Rear cabin protection

ACCESSORIES & OPTIONS

- Red/blue strobe lights (IMAGE 1)
- Door overlaps (IMAGE 5)
- P.A. System (IMAGE 6)
- Vehicle intercom system
- Tailpipe protection (IMAGE 8)
- Engine fire suppression system
- Custom upgraded brakes
- Custom upgraded suspension
- Other options (per client's request)

• 1 •



• 2 •



• 3 •



• 4 •



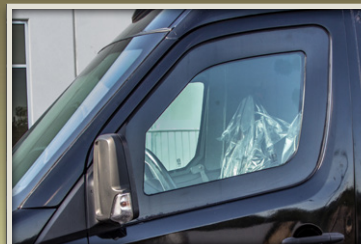
• 5 •



• 6 •



• 7 •



• 8 •



armoredvehicles.com

Headquarters: Virginia, USA ★ Multiple locations throughout the USA & other countries