



2023
SUBURBAN

Dream big. Live big.

The most versatile and advanced Suburban ever wants to help you live your biggest life.

The spacious interior is highlighted by generous second- and third-row leg room, so every passenger feels like they're riding in first class. You can also count on best-in-class cargo volume¹ and the real-world capability provided by the Premium Smooth Ride suspension and three available powertrains. Intelligent technologies keep you connected on your travels. On top of all that, there's the security of standard Chevy Safety Assist², a comprehensive suite of six driver assistance features.

The road ahead leads to the life you always imagined. Let the 2023 Suburban take you there in style.



Optimized third-row seating position provides excellent sight lines.

At a glance.

- Full-size SUV with multiple seating options, including room for up to 9 on LS with the available front bench seat
- Six models: LS, LT, RST, Z71, Premier and High Country
- Available as 2WD or 4WD (4WD standard on Z71)
- Three engine choices, each paired with a 10-speed automatic transmission
 - 5.3L EcoTec3 V8 with Dynamic Fuel Management
 - 6.2L EcoTec3 V8 with Dynamic Fuel Management
 - Duramax® 3.0L Turbo-Diesel I-6
- 8,300 lbs. of maximum towing capability¹
- Available Four-Corner Air Ride Adaptive Suspension on Z71 and High Country
- Chevy Safety Assist² standard on all models
- 144.7 cubic feet of maximum cargo volume³
- Available Advanced Trailing System with in-vehicle app⁴ and Smart Trailer Integration Indicator
- Up to 13 available camera views⁵
- Available Rear-Seat Media System
- Available power-sliding center console
- Google built-in⁶ compatibility included on LT, RST, Z71, Premier and High Country
- Available Super Cruise^{™7} hands-free driver assistance technology. Enjoy hands-free driving and trailering across 400,000 miles of compatible roads in the U.S. and Canada



Up to 8,300 lbs. of maximum towing capability¹



Available Super Cruise^{™7} hands-free driver assistance technology.

¹ Requires 2WD, 5.3L engine and available Max Trailing Package. Maximum trailering ratings are intended for comparison purposes only. Before you buy a vehicle or use it for trailering, carefully review the Trailering section of the Owner's Manual. The trailering capacity of your specific vehicle may vary. The weight of passengers, cargo and options or accessories may reduce the amount you can trailer. ² Chevy Safety Assist includes Automatic Emergency Braking, Front Pedestrian Braking, Lane Keep Assist with Lane Departure Warning, Forward Collision Alert, IntelliBeam and Following Distance Indicator. Safety or driver assistance features are no substitute for the driver's responsibility to operate the vehicle in a safe manner. Read the vehicle Owner's Manual for important feature limitations and information. ³ With second- and third-row seats folded flat. Cargo and load capacity limited by weight and distribution. ⁴ App functionality and features vary with vehicle equipment and trim level. Data connection may be required. Some features require active service plan and working electrical system. Terms and conditions apply. ⁵ Safety or driver assistance features are no substitute for the driver's responsibility to operate the vehicle in a safe manner. Read the vehicle Owner's Manual for important feature limitations and information. Some camera views require available accessory camera and installation. Not compatible with all trailers. See your dealer for details. ⁶ Google built-in services are subject to limitations and availability may vary by vehicle, infotainment system and location. Select service plan required. Certain Google actions and functionality may require account linking. User terms and privacy statements apply. ⁷ Always pay attention while driving and when using Super Cruise. Do not use a hand-held device. Requires active Super Cruise plan or trial. Terms apply. Visit [chevrolet.com/supercruise.com](https://chevrolet.com/supercruise) for compatible roads and full details.

Six models to choose from.



LS

Expect the unexpected everywhere in LS.

- 5.3L EcoTec3 V8 engine
- Premium Smooth Ride suspension
- 18-inch Bright Silver-painted aluminum wheels
- Body-color mirror caps and door handles
- Black lower fascia with chrome accents
- Black assist steps with chrome strip
- Bright roof rack side rails
- LED headlamps, taillamps and daytime running lamps
- Remote vehicle starter system
- 10-way power driver-seat adjuster with power lumbar control
- Fold-flat second- and third-row seats
- Tri-zone automatic climate controls
- Chevrolet Infotainment 3 system¹ with 8-inch diagonal color touch-screen
- Chevy Safety Assist^{2, 3}



LT

Comfort and convenience are elevated in LT.

- Hands-free programmable power liftgate with Chevrolet emblem projection
- Black grille with Black inserts and chrome accents
- Bright front and rear sill plates
- Leather-appointed front and second-row seats
- Heated front bucket seats with driver memory
- 12-inch diagonal multi-color enhanced Driver Information Center
- Inside rearview auto-dimming mirror
- Universal Home Remote
- Chevrolet Infotainment 3 Premium system¹ with 10.2-inch diagonal color touch-screen and Google built-in⁴ compatibility
- 9-speaker Bose sound system
- Available power-sliding center console



RST

You'll draw attention on every drive.

- RST-specific Black sport grille
- Black Ice chrome exterior trim
- Black Chevrolet bowtie emblems
- RST-specific badging
- 22-inch bright machined high-gloss Black-painted aluminum wheels
- Black front fascia with gloss Black accent trim
- Black roof rack side rails
- Black assist steps with gloss Black accents
- Gloss Black beltline moldings
- Black Ice chrome finish liftgate appliqué
- RST-specific Jet Black interior with Victory Red stitching

¹ Chevrolet Infotainment System functionality varies by model. Full functionality requires compatible Bluetooth and smartphone, and USB connectivity for some devices. ² Chevy Safety Assist includes Automatic Emergency Braking, Front Pedestrian Braking, Lane Keep Assist with Lane Departure Warning, Forward Collision Alert, IntelliBeam and Following Distance Indicator. ³ Safety or driver assistance features are no substitute for the driver's responsibility to operate the vehicle in a safe manner. Read the vehicle Owner's Manual for important feature limitations and information. ⁴ Google built-in services are subject to limitations and availability may vary by vehicle, infotainment system and location. Select service plan required. Certain Google actions and functionality may require account linking. User terms and privacy statements apply.

Six models to choose from.



Z71

Always ready for an off-road adventure.

- Autotrac® 2-speed active transfer case
- Hill Descent Control
- Heavy-duty air filter
- Front skid plate with Galvano finish
- 20-inch machined-aluminum wheels with all-terrain tires
- Black grille with Black Ice chrome accents
- High approach angle front fascia
- Red recovery hooks¹
- Gloss Black beltline moldings
- Black tubular assist steps
- Black Chevrolet bowtie emblems and Black badging
- Black roof rack side rails
- Black Ice chrome finish liftgate appliqué



Premier

Luxury is on full display, inside and out.

- Magnetic Ride Control™
- Dual exhaust system with dual twin tips²
- Chrome door handles with body-color strip
- Black grille with bright chrome inserts and Galvano accents
- 20-inch polished-finish aluminum wheels
- Full-feature outside mirrors with chrome caps
- Power-release second-row bucket seats
- Heated second-row bucket seats
- Power-folding third-row seat
- Power-sliding center console
- Automatic heated steering wheel
- Bose Centerpoint Surround Sound 10-speaker system
- Lane Change Alert with Side Blind Zone Alert,³ Rear Cross Traffic Alert³ and Safety Alert Seat³
- Available Super Cruise⁴ hands-free driver assistance technology



High Country

Experience the very best of Suburban.

- 6.2L EcoTec3 V8 engine
- 22-inch Sterling Silver-painted wheels
- Exclusive grille with Galvano inserts and Godric accents
- Black lower front fascia with Galvano accent
- Body-color mirror caps
- Galvano finish liftgate appliqué
- Bright front and rear sill plates with High Country logo
- Heated and ventilated front seats with perforated leather seating surfaces⁵
- Heated second-row bucket seats
- 15-inch diagonal multi-color Head-Up Display
- Rear Camera Mirror³
- Rear Pedestrian Alert³
- HD Surround Vision³
- Available Super Cruise⁴ hands-free driver assistance technology

¹ To avoid the risk of injury, never use recovery hooks to tow a vehicle. For more information, see the Recovery Hooks section of your Owner's Manual. ² Requires gas engine. ³ Safety or driver assistance features are no substitute for the driver's responsibility to operate the vehicle in a safe manner. Read the vehicle Owner's Manual for important feature limitations and information. ⁴ Always pay attention while driving and when using Super Cruise. Do not use a hand-held device. Requires active Super Cruise plan or trial. Terms apply. Visit chevroletssuperdrive.com for compatible roads and full details. ⁵ Leather seating surfaces in front and second rows; third row is vinyl-covered.

Seeing is believing.

Suburban offers up to 13 available camera views¹ to help make it easier to pull into tight spaces, back into a garage or hitch a trailer – helping to provide confidence and a feeling of security when you drive.

Safety or driver assistance features are no substitute for the driver's responsibility to operate the vehicle in a safe manner. The driver should remain attentive to traffic, surroundings and road conditions at all times. Visibility, weather and road conditions may affect feature performance. Read the vehicle Owner's Manual for more important feature limitations and information.

- Three available hitch views

- Hitch View

- Surround View

- Rear Top-Down View

- Six available driving views

- Transparent Trailer View²

- Front Camera View

- Pic-In-Pic Side View²

- Rear Camera Mirror

- Rear Trailer View²

- Inside Trailer View²

- Four available parking views

- Rear Camera View

- Rear Side View

- Front Side View

- Front Top-Down View



Transparent Trailer View²



Rear Camera View.

LS



Summit White



Sterling Gray Metallic



Dark Ash Metallic



Empire Beige Metallic



Silver Sage Metallic



Auburn Metallic



Radiant Red Tintcoat¹



Midnight Blue Metallic



Black

¹Extra-cost color.

LS



In addition to [standard equipment](#), select LS features include:

MECHANICAL

Engine – 5.3L EcoTec3 V8 with Dynamic Fuel Management, Variable Valve Timing (VVT) and Direct Injection

Exhaust – single system with single-outlet

Suspension – 4-wheel independent, Premium Smooth Ride

EXTERIOR

Assist steps – Black with chrome accent strip

Chevrolet bowtie emblems – Gold

Liftgate – manual

Liftgate appliqué – bright chrome finish

Mirrors – heated, power-adjustable, manual-folding with body-color mirror caps

Roof rack side rails – bright

INTERIOR

Audio – 6-speaker system

Console – with storage area and removable storage tray

Driver Information Center – 4.2-inch diagonal color display, includes driver personalization

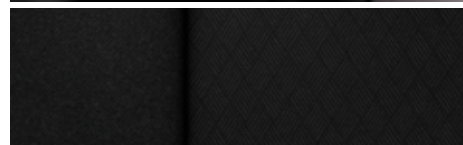
Entertainment – Chevrolet Infotainment 3 system¹ with 8-inch diagonal color touch-screen

Mirror – rearview, manual day/night

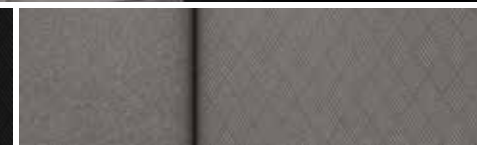
Seating – 8-passenger with front bucket seats and second- and third-row manual-folding 60/40 split-bench seats

Seats – driver 10-way power adjuster with power lumbar control and front passenger 8-way power adjuster with power lumbar control

Steering column – manual tilt and telescopic



Jet Black Premium Cloth



Gideon Premium Cloth (shown)



18" Bright Silver-Painted Aluminum Wheels (PZX)
Standard on LS



20" Painted-Aluminum Wheels with
Machined Face and Argent Metallic Pockets (RD4)
Available on LS



22" Polished-Aluminum Wheels (S11)
Available on LS



22" 6-Spoke Carbon Flash Metallic-Painted
Aluminum Wheels with Selective Machining (S1Y)
Available on LS

¹ Chevrolet Infotainment System functionality varies by model. Full functionality requires compatible Bluetooth and smartphone, and USB connectivity for some devices.

LT



Summit White



Iridescent Pearl Tricoat¹



Sterling Gray Metallic



Dark Ash Metallic



Empire Beige Metallic



Silver Sage Metallic



Auburn Metallic



Radiant Red Tintcoat¹



Midnight Blue Metallic



Black

¹Extra-cost color.

LT



In addition to [standard equipment](#), select LT features include:

MECHANICAL

Engine – 5.3L EcoTec3 V8 with Dynamic Fuel Management, Variable Valve Timing (VVT) and Direct Injection

Suspension – 4-wheel independent, Premium Smooth Ride

EXTERIOR

Assist steps – Black with chrome accent strip

Chevrolet bowtie emblems – Gold

Liftgate – power, programmable, hands-free with Chevrolet emblem projection

Liftgate appliqué – bright chrome finish

Mirrors – heated, power-adjustable, manual-folding with body-color mirror caps

Roof rack side rails – bright

INTERIOR

Audio – Bose 9-speaker sound system

Console – with storage area and removable storage tray

Driver Information Center – 12-inch diagonal multi-color digital display with analog speedometer and tachometer

Entertainment – Chevrolet Infotainment 3 Premium system¹ with 10.2-inch diagonal HD color touch-screen and Google built-in² compatibility

Memory settings – recalls two presets for power driver seat

Mirror – rearview, auto-dimming

Seating – 8-passenger with front bucket seats and second- and third-row manual-folding 60/40 split-bench seats

Seats – driver and front passenger, heated, with 10-way power adjusters with power lumbar control

Sill plates – front and rear, bright

Steering column – manual tilt and telescopic



Jet Black Leather-Appointed Seating Surfaces³ (shown)

Gideon Leather-Appointed Seating Surfaces³



18" Bright Silver-Painted Aluminum Wheels (PZX)
Standard on LT



20" Painted-Aluminum Wheels with
Machined Face and Argent Metallic Pockets (RD4)
Available on LT



22" Polished-Aluminum Wheels (S11)
Available on LT



22" 6-Spoke Carbon Flash Metallic-Painted
Aluminum Wheels with Selective Machining (S1Y)
Available on LT

¹ Chevrolet Infotainment System functionality varies by model. Full functionality requires compatible Bluetooth and smartphone, and USB connectivity for some devices. ² Google built-in services are subject to limitations and availability may vary by vehicle, infotainment system and location. Select service plan required. Certain Google actions and functionality may require account linking. User terms and privacy statements apply. ³ Leather-appointed seating surfaces in front and second rows; third row is vinyl-covered.

RST



Summit White



Iridescent Pearl Tricoat¹



Sterling Gray Metallic



Dark Ash Metallic



Empire Beige Metallic



Silver Sage Metallic



Auburn Metallic



Radiant Red Tintcoat¹



Midnight Blue Metallic



Black

¹Extra-cost color.

RST



In addition to [standard equipment](#), select RST features include:

MECHANICAL

Engine – 5.3L EcoTec3 V8 with Dynamic Fuel Management, Variable Valve Timing (VVT) and Direct Injection

Suspension – 4-wheel independent, Premium Smooth Ride

EXTERIOR

Assist steps – Black with gloss Black accents

Chevrolet bowtie emblems – Black

Liftgate – power, programmable, hands-free with Chevrolet emblem projection

Liftgate appliqué – Black Ice chrome finish

Mirrors – heated, power-adjustable, manual-folding with body-color mirror caps

Roof rack side rails – Black

INTERIOR

Audio – Bose 9-speaker sound system

Console – with storage area and removable storage tray

Driver Information Center – 12-inch diagonal multi-color digital display with analog speedometer and tachometer

Entertainment – Chevrolet Infotainment 3 Premium system¹ with 10.2-inch diagonal HD color touch-screen and Google built-in² compatibility

Memory settings – recalls two presets for power driver seat

Mirror – rearview, auto-dimming

Seating – 8-passenger with front bucket seats and second- and third-row manual-folding 60/40 split-bench seats

Seats – driver and front passenger, heated, with 10-way power adjusters with power lumbar control – RST-specific

Steering column – manual tilt and telescopic



Jet Black Perforated Leather Seating Surfaces³ with Victory Red Stitching



22" Bright Machined High-Gloss Black-Painted Aluminum Wheels (SGF)
Standard on RST



22" Polished-Aluminum Wheels (S11)
Available on RST



22" 6-Spoke Carbon Flash Metallic-Painted Aluminum Wheels with Selective Machining (S1Y)
Available on RST

Z71



Summit White



Iridescent Pearl Tricoat¹



Sterling Gray Metallic



Dark Ash Metallic



Empire Beige Metallic



Silver Sage Metallic



Auburn Metallic



Radiant Red Tintcoat¹



Midnight Blue Metallic



Black

¹Extra-cost color.

Z71



In addition to [standard equipment](#), select Z71 features include:

MECHANICAL

Air filter – heavy-duty

Engine – 5.3L EcoTec3 V8 with Dynamic Fuel Management, Variable Valve Timing (VVT) and Direct Injection

Hill Descent Control

Skid plate – front with Galvano finish

Transfer case – active, 2-speed electronic Autotrac, includes neutral position for dinghy towing

EXTERIOR

Assist steps – Black tubular

Chevrolet bowtie emblems – Black

Liftgate – power, programmable, hands-free with Chevrolet emblem projection

Liftgate appliqué – Black Ice chrome finish

Mirrors – heated, power-adjustable, manual-folding with body-color mirror caps

Recovery hooks¹ – Red

Roof rack side rails – Black

INTERIOR

Audio – Bose 9-speaker sound system

Driver Information Center – 12-inch diagonal multi-color digital display with analog speedometer and tachometer

Entertainment – Chevrolet Infotainment 3 Premium system² with 10.2-inch diagonal HD color touch-screen and Google built-in³ compatibility

Memory settings – recalls two presets for power driver seat

Mirror – rearview, auto-dimming

Seats – driver and front passenger, heated, with 10-way power adjusters with power lumbar control



Jet Black Leather-Appointed Seating Surfaces⁴

Gideon Leather-Appointed Seating Surfaces⁴ (shown)



20" Machined-Aluminum Wheels
with Technical Gray Pockets (NZU)
Standard on Z71

¹ To avoid the risk of injury, never use recovery hooks to tow a vehicle. For more information, see the Recovery Hooks section of your Owner's Manual. ² Chevrolet Infotainment System functionality varies by model. Full functionality requires compatible Bluetooth and smartphone, and USB connectivity for some devices. ³ Google built-in services are subject to limitations and availability may vary by vehicle, infotainment system and location. Select service plan required. Certain Google actions and functionality may require account linking. User terms and privacy statements apply. ⁴ Leather-appointed seating surfaces in front and second rows; third row is vinyl-covered.

Premier



Summit White



Iridescent Pearl Tricoat¹



Sterling Gray Metallic



Dark Ash Metallic



Empire Beige Metallic



Silver Sage Metallic



Auburn Metallic



Radiant Red Tintcoat¹



Midnight Blue Metallic



Black

¹Extra-cost color.

Premier



In addition to [standard equipment](#), select Premier features include:

MECHANICAL

Engine – 5.3L EcoTec3 V8 with Dynamic Fuel Management, Variable Valve Timing (VVT) and Direct Injection

Exhaust – dual system with dual twin polished stainless steel tips

Suspension – 4-wheel independent, Magnetic Ride Control

EXTERIOR

Liftgate – power, programmable, hands-free with Chevrolet emblem projection

Mirrors – heated, power-adjustable, power-folding with memory and driver-side auto-dimming features, integrated turn signal indicators and puddle lamps; chrome mirror caps

INTERIOR

Audio – Bose 10-speaker surround sound system with Centerpoint

Console – power-sliding center console with drawer, secure storage, manual-sliding armrest and cup holders for second row

Driver Information Center – 12-inch diagonal multi-color digital display with analog speedometer and tachometer

Entertainment – Chevrolet Infotainment 3 Premium system¹ with 10.2-inch diagonal HD color touch-screen and Google built-in² compatibility

Lane Change Alert with Side Blind Zone Alert³

Memory settings – recalls two presets for power driver seat, outside rearview mirrors, and power tilt and telescopic steering column

Mirror – rearview, auto-dimming

Rear Cross Traffic Alert³

Safety Alert Seat³

Seating – 7-passenger with front bucket seats, second-row bucket seats with power-release and third-row power-folding 60/40 split-bench seat

Seats – driver and front passenger, heated, with 10-way power adjusters with power lumbar control; heated second-row outboard seating positions

Steering column – power tilt and telescopic



Jet Black Perforated Leather Seating Surfaces⁴



Maple Sugar Perforated Leather Seating Surfaces⁴ (shown)



20" Polished-Finish Aluminum Wheels (RD2)
Standard on Premier



22" Polished-Aluminum Wheels (RVA)
Available on Premier



22" Polished-Aluminum Wheels (S11)
Available on Premier



22" 6-Spoke Carbon Flash Metallic-Painted
Aluminum Wheels with Selective Machining (S1Y)
Available on Premier

¹ Chevrolet Infotainment System functionality varies by model. Full functionality requires compatible Bluetooth and smartphone, and USB connectivity for some devices. ² Google built-in services are subject to limitations and availability may vary by vehicle, infotainment system and location. Select service plan required. Certain Google actions and functionality may require account linking. User terms and privacy statements apply. ³ Safety or driver assistance features are no substitute for the driver's responsibility to operate the vehicle in a safe manner. Read the vehicle Owner's Manual for important feature limitations and information. ⁴ Leather seating surfaces in front and second rows; third row is vinyl-covered.

High Country



Summit White



Iridescent Pearl Tricoat¹



Sterling Gray Metallic



Dark Ash Metallic



Empire Beige Metallic



Silver Sage Metallic



Auburn Metallic



Radiant Red Tintcoat¹



Midnight Blue Metallic



Black

¹Extra-cost color.

High Country



In addition to [standard equipment](#), select High Country features include:

MECHANICAL

Engine – 6.2L EcoTec3 V8 with Dynamic Fuel Management, Variable Valve Timing (VVT) and Direct Injection

Exhaust – dual system with dual twin polished stainless steel tips

Suspension – 4-wheel independent, Magnetic Ride Control

EXTERIOR

Liftgate – power, programmable, hands-free with Chevrolet emblem projection

Mirrors – heated, power-adjustable, power-folding with memory and driver-side auto-dimming features, integrated turn signal indicators and puddle lamps; body-color mirror caps

INTERIOR

Audio – Bose 10-speaker surround sound system with Centerpoint

Console – power-sliding center console with drawer, secure storage, manual-sliding armrest and cup holders for second row

Driver Information Center – 12-inch diagonal multi-color digital display with analog speedometer and tachometer

Entertainment – Chevrolet Infotainment 3 Premium system¹ with 10.2-inch diagonal HD color touch-screen and Google built-in² compatibility

Head-Up Display – 15-inch diagonal multi-color display

Lane Change Alert with Side Blind Zone Alert³

Memory settings – recalls two presets for power driver seat, outside rearview mirrors, and power tilt and telescopic steering column

Rear Camera Mirror³ with washer – auto-dimming

Rear Cross Traffic Alert³

Rear Pedestrian Alert³

Safety Alert Seat³

Seating – 7-passenger with front bucket seats, second-row bucket seats with power-release and third-row power-folding 60/40 split-bench seat

Seats – heated and ventilated driver and front passenger; heated second-row outboard seating positions

HD Surround Vision³ – includes HD Rear Vision Camera³



Jet Black Perforated Leather Seating Surfaces⁴



Mocha Perforated Leather Seating Surfaces⁴ (shown)



22" Sterling Silver-Painted Aluminum Wheels with Chrome Inserts (RPT) Standard on High Country



22" Polished-Aluminum Wheels (S11) Available on High Country



22" 6-Spoke Carbon Flash Metallic-Painted Aluminum Wheels with Selective Machining (S1Y) Available on High Country

¹ Chevrolet Infotainment System functionality varies by model. Full functionality requires compatible Bluetooth and smartphone, and USB connectivity for some devices. ² Google built-in services are subject to limitations and availability may vary by vehicle, infotainment system and location. Select service plan required. Certain Google actions and functionality may require account linking. User terms and privacy statements apply. ³ Safety or driver assistance features are no substitute for the driver's responsibility to operate the vehicle in a safe manner. Read the vehicle Owner's Manual for important feature limitations and information. ⁴ Leather seating surfaces in front and second rows; third row is vinyl-covered.

Standard equipment

Standard on every Suburban:

MECHANICAL

Air filter – engine air filtration monitor

Brakes – 4-wheel antilock, 4-wheel disc with Duralife® rotors; electronic parking brake

Cooling – external engine oil cooler (5.3L V8 and 6.2L V8 engine)
– transmission oil cooler

Differential – mechanical limited-slip

Driver Mode Selector – with Tow/Haul mode

StabiliTrak® – Electronic Stability Control System and Traction Control; includes Electronic Trailer Sway Control and Hill Start Assist

Steering – rack-and-pinion with electric assist

Trailerling equipment – trailer hitch platform, 7-wire harness with independent fused trailerling circuits mated to a 7-way sealed connector, 2-inch trailerling receiver and Hitch Guidance¹

Transmission – 10-speed automatic, electronically controlled with overdrive and Electronic Precision Shift

EXTERIOR

Active aero grille shutters – upper

Daytime running lamps – LED

Fuel filler – capless fueling

Glass – solar-absorbing with acoustic-laminated windshield and deep-tinted rear windows

Headlamps – LED, automatic on/off with automatic delay

Taillamps – LED

Tire – 17" full-size spare, lockable, mounted under frame at rear

Wipers – front variable-speed, intermittent with Rainsense®; rear intermittent with washer

INTERIOR

Chevy Safety Assist¹

Automatic Emergency Braking

Front Pedestrian Braking

Lane Keep Assist with Lane Departure Warning

Forward Collision Alert

IntelliBeam, auto high beams

Following Distance Indicator

INTERIOR (CONTINUED)

Airbags² – frontal airbags for driver and front outboard passenger; seat-mounted side-impact airbags for driver and front outboard passenger; driver inboard seat-mounted side-impact airbag (requires front bucket seats on LS); head-curtain airbags for all rows in outboard seating positions; includes front outboard Passenger Sensing System for frontal outboard passenger airbag

Air conditioning – tri-zone automatic climate controls, with individual climate settings for driver, right-front passenger and rear passengers; rear air conditioning

Assist handles – overhead, driver and front passenger
– front passenger A-pillar and second-row outboard B-pillar

Buckle to Drive

Cargo area – Cargo Management System

Connectivity – wireless Apple CarPlay®³ and wireless Android Auto™⁴ compatibility

Cruise control – electronic with Set and Resume Speed

Defogger – electric rear-window

Door locks – power programmable with lockout protection and manual rear door child security

Floor mats – front and second-row carpeted

Front and Rear Park Assist¹

Keyless Open and Start – includes extended-range Remote Keyless Entry

Lighting – interior lighting with door handle or Remote Keyless Entry-activated illuminated entry, cargo area, and front and second-row reading lamps

Media – two USB ports⁵ on center stack, two USB ports⁵ in center console, two USB ports⁵ in second row on rear of center console, and two USB ports⁵ in third row

Power outlets – three, one 12-volt in center stack, one 120-volt on rear of center console and one 120-volt in cargo area

Rear Seat Reminder⁶

Rear Vision Camera¹

Remote vehicle starter system

SiriusXM® with 360L⁷ – 3-month trial subscription to SXM Platinum Plan

Steering wheel – wrapped, with mounted audio, cruise, phone and Driver Information Center controls

Teen Driver technology¹

Theft-deterrent system – unauthorized entry

Tire Pressure Monitoring System – with Tire Fill Alert (does not monitor spare tire)

Visors – driver and front passenger, covered illuminated vanity mirrors, sliding

Windows – power with driver and front passenger express-up/-down, all others express-down

¹ Safety or driver assistance features are no substitute for the driver's responsibility to operate the vehicle in a safe manner. Read the vehicle Owner's Manual for important feature limitations and information. ² A NOTE ON CHILD SAFETY: Always use seat belts and the correct child restraint for your child's age and size, even with airbags. Even in vehicles equipped with the Passenger Sensing System, children are safer when properly secured in a rear seat in the appropriate infant, child or booster seat. Never place a rear-facing infant restraint in the front seat of any vehicle equipped with an active frontal airbag. See your vehicle Owner's Manual and the child safety seat instructions for more safety information. ³ Vehicle user interface is a product of Apple and its terms and privacy statements apply. Requires compatible iPhone and data plan rates apply. ⁴ Vehicle user interface is a product of Google and its terms and privacy statements apply. To use Android Auto on your car display, you'll need an Android phone running Android 6 or higher, an active data plan, and the Android Auto app. ⁵ Not compatible with all devices. ⁶ Does not detect people or items. Always check rear seat before exiting. ⁷ If you decide to continue service after your trial, your selected subscription plan will automatically renew thereafter. You will be charged at then-current rates. Fees and taxes apply. To cancel you must call SiriusXM at 1-866-635-2349. See SiriusXM Customer Agreement for complete terms at siriusxm.com. All fees and programming subject to change. Certain features require a SiriusXM subscription and the Chevrolet Connected Access plan. See siriusxm.com and onstar.com for details and limitations.

● STANDARD ○ AVAILABLE – NOT AVAILABLE

| | LS | LT | RST | Z71 | PREMIER | HIGH COUNTRY |
|---|----|----|-----|-----|---------|--------------|
| SAFETY AND DRIVER ASSISTANCE | | | | | | |
| Chevy Safety Assist ¹ | ● | ● | ● | ● | ● | ● |
| Automatic Emergency Braking | ● | ● | ● | ● | ● | ● |
| Front Pedestrian Braking | ● | ● | ● | ● | ● | ● |
| Lane Keep Assist with Lane Departure Warning | ● | ● | ● | ● | ● | ● |
| Forward Collision Alert | ● | ● | ● | ● | ● | ● |
| IntelliBeam, auto high beams | ● | ● | ● | ● | ● | ● |
| Following Distance Indicator | ● | ● | ● | ● | ● | ● |
| Airbags ² – frontal airbags for driver and front outboard passenger; seat-mounted side-impact airbags for driver and front outboard passenger; driver inboard seat-mounted side-impact airbag (requires front bucket seats on LS); head-curtain airbags for all rows in outboard seating positions; includes front outboard Passenger Sensing System for frontal outboard passenger airbag | ● | ● | ● | ● | ● | ● |
| Buckle to Drive | ● | ● | ● | ● | ● | ● |
| Enhanced Automatic Emergency Braking ¹ (requires available Luxury Package on RST; requires available Adaptive Cruise Control or Advanced Technology Package on Premier and High Country) (see dealer for details or the window label for the features on a specific vehicle) | – | – | ○ | – | ○ | ○ |
| Enhanced Automatic Parking Assist ¹ (requires available Advanced Technology Package) | – | – | – | – | ○ | ○ |
| Front and Rear Park Assist ¹ | ● | ● | ● | ● | ● | ● |
| Lane Change Alert with Side Blind Zone Alert ¹ (requires available Driver Alert Package on LS, LT, RST and Z71) | ○ | ○ | ○ | ○ | ● | ● |
| LATCH system (Lower Anchors and Tethers for CHildren) – for child restraint systems | ● | ● | ● | ● | ● | ● |
| Rear Cross Traffic Alert ¹ (requires available Driver Alert Package on LS, LT, RST and Z71) | ○ | ○ | ○ | ○ | ● | ● |
| Rear Pedestrian Alert ¹ (requires available Luxury Package on LT, RST and Z71; requires available Enhanced Display and Alert Package on Premier) | – | ○ | ○ | ○ | ○ | ● |
| Rear Vision Camera ¹ | ● | – | – | – | – | – |
| HD Rear Vision Camera ¹ | – | ● | ● | ● | ● | – |
| HD Surround Vision ¹ – includes HD Rear Vision Camera ¹ (requires available Luxury Package on LT, RST and Z71; requires available Enhanced Display and Alert Package on Premier) | – | ○ | ○ | ○ | ○ | ● |
| Reverse Automatic Braking ¹ (requires available Enhanced Display and Alert Package and Adaptive Cruise Control on Premier) | – | – | – | – | ○ | ○ |
| Safety Alert Seat ¹ | – | – | – | – | ● | ● |
| Teen Driver technology ¹ | ● | ● | ● | ● | ● | ● |
| Theft-deterrent system – unauthorized entry | ● | ● | ● | ● | ● | ● |
| Tire Pressure Monitoring System – with Tire Fill Alert (does not monitor spare tire) | ● | ● | ● | ● | ● | ● |
| Trailer Side Blind Zone Alert ¹ (requires available Advanced Trailering Package) | – | – | – | – | ○ | ○ |
| Up to 3 months of OnStar [®] Safety & Security coverage ³ | ● | ● | ● | ● | ● | ● |

| | LS | LT | RST | Z71 | PREMIER | HIGH COUNTRY |
|---|----|----|-----|-----|---------|--------------|
| MECHANICAL | | | | | | |
| Air filter – heavy-duty | – | – | – | ● | – | – |
| – engine air filtration monitor | ● | ● | ● | ● | ● | ● |
| Alternator – 220 amps; included with V8 engine | ● | ● | ● | ● | ● | ● |
| – 250 amps; included with available Duramax 3.0L Turbo-Diesel I-6 engine | ○ | ○ | ○ | – | ○ | ○ |
| Brakes – 4-wheel antilock, 4-wheel disc with Duralife rotors | ● | ● | ● | ● | ● | ● |
| Cooling – external engine and transmission oil coolers (engine oil cooler not included with available Duramax 3.0L Turbo-Diesel I-6 engine) | ● | ● | ● | ● | ● | ● |
| – extra-capacity (requires available Max Trailering Package; not included with available Duramax 3.0L Turbo-Diesel I-6 engine) | ○ | ○ | ○ | ○ | ○ | ○ |
| Differential – mechanical limited-slip | ● | ● | ● | ● | ● | ● |
| – electronic Limited-Slip (eLSD) (requires available Off-Road Capability Package, Max Trailering Package and Luxury Package) | – | – | – | ○ | – | – |
| Driver Mode Selector – with Tow/Haul mode | ● | ● | ● | ● | ● | ● |
| Engine – 5.3L EcoTec3 V8 equipped with Dynamic Fuel Management, Variable Valve Timing, Direct Injection and Automatic Stop/Start with disable switch; 355 hp @ 5600 rpm, 383 lb.-ft. of torque @ 4100 rpm | ● | ● | ● | ● | ● | – |
| Engine – 6.2L EcoTec3 V8 equipped with Dynamic Fuel Management, Variable Valve Timing, Direct Injection and Automatic Stop/Start with disable switch (requires available Sport Performance Package on RST; requires available Off-Road Performance Package, Off-Road Capability Package, Max Trailering Package and Luxury Package on Z71); 420 hp @ 5600 rpm, 460 lb.-ft. of torque @ 4100 rpm | – | – | ○ | ○ | ○ | ● |
| Engine – Duramax 3.0L Turbo-Diesel I-6 with common rail Direct Injection and Diesel Exhaust Brake System; 277 hp @ 3750 rpm, 460 lb.-ft. of torque @ 1500 rpm; includes engine block heater and upper and lower active aero grille shutters | ○ | ○ | ○ | – | ○ | ○ |
| Exhaust – single system with single-outlet (requires available Duramax 3.0L Turbo-Diesel I-6 engine on Premier and High Country) | ● | ● | ● | ● | ○ | ○ |
| – dual system with dual twin polished stainless steel tips (deleted when available Duramax 3.0L Turbo-Diesel I-6 engine is ordered on Premier and High Country; requires available Sport Performance Package on RST; requires available Off-Road Performance Package, Off-Road Capability Package, Max Trailering Package and Luxury Package on Z71) | – | – | ○ | ○ | ● | ● |

¹ Safety or driver assistance features are no substitute for the driver's responsibility to operate the vehicle in a safe manner. Read the vehicle Owner's Manual for important feature limitations and information. ² A NOTE ON CHILD SAFETY: Always use seat belts and the correct child restraint for your child's age and size, even with airbags. Even in vehicles equipped with the Passenger Sensing System, children are safer when properly secured in a rear seat in the appropriate infant, child or booster seat. Never place a rear-facing infant restraint in the front seat of any vehicle equipped with an active frontal airbag. See your vehicle Owner's Manual and the child safety seat instructions for more safety information. ³ When you select a monthly plan within 15 days of activating your 1-month trial, you'll receive the next 2 months of the plan you select at no additional charge when you associate an approved payment method on file to your account and authorize recurring payments for your service plan. The amount and frequency of each recurring payment is based upon the service(s) and payment interval(s) you select from the options provided. After the trial expires, OnStar will automatically bill your payment method monthly at then-current standard monthly rates. Plans containing 4G LTE data will be billed every 30 days by AT&T. You may cancel at any time by pushing your blue OnStar button or calling 1-888-466-7827. May not be combined with other offers or retroactively applied. Offer subject to change.

● STANDARD ○ AVAILABLE – NOT AVAILABLE

| | LS | LT | RST | Z71 | PREMIER | HIGH COUNTRY |
|---|----|----|-----|-----|---------|--------------|
| MECHANICAL (CONTINUED) | | | | | | |
| Hill Descent Control (requires available 4WD on Premier and High Country) | – | – | – | ● | ○ | ○ |
| Hitch Guidance ¹ | ● | ● | ● | ● | ● | ● |
| Hitch View ¹ – close-up image of hitch (requires available Advanced Trailerling Package and Max Trailerling Package) | – | ○ | ○ | ○ | ○ | ○ |
| Skid plate – front with Galvano finish | – | – | – | ○ | – | – |
| Smart Trailer Integration Indicator (requires available Advanced Trailerling Package and Max Trailerling Package) | – | ○ | ○ | ○ | ○ | ○ |
| StabiliTrak – Electronic Stability Control System and Traction Control; includes Electronic Trailer Sway Control and Hill Start Assist | ● | ● | ● | ● | ● | ● |
| Steering – rack-and-pinion with electric assist | ● | ● | ● | ● | ● | ● |
| Suspension – 4-wheel independent, front coil-over-shock and rear multi-link with coil springs | ● | ● | ● | ● | ● | ● |
| – Premium Smooth Ride | ● | ● | ● | ● | – | – |
| – Magnetic Ride Control (requires available Sport Performance Package on RST; requires available Off-Road Performance Package, Off-Road Capability Package, Max Trailerling Package and Luxury Package on Z71) | – | – | ○ | ○ | ● | ● |
| – Air Ride Adaptive (requires available Off-Road Capability Package, Max Trailerling Package and Luxury Package or Z71 Off-Road Package on Z71; requires available Max Trailerling Package on High Country) | – | – | – | ○ | – | ○ |
| Trailer brake controller – integrated (requires available Advanced Trailerling Package and Max Trailerling Package) | ○ | ○ | ○ | ○ | ○ | ○ |
| Trailer Tire Pressure Monitor sensors – four sensors (requires available LT Signature Package or Max Trailerling Package on LT; requires available Max Trailerling Package on RST; requires available Z71 Off-Road Package or Max Trailerling Package on Z71; requires available Premium Package or Max Trailerling Package on Premier; requires available Premium Package, High Country Deluxe or Max Trailerling Package on High Country) | – | ○ | ○ | ○ | ○ | ○ |
| Trailer View ¹ – enhanced, includes trailer camera provisions, trailerling assist guidelines and dealer-installed auxiliary trailer camera (requires available Max Trailerling Package, Trailer Tire Pressure Monitor sensors and Enhanced Display and Alert Package on Premier; requires available Max Trailerling Package and Trailer Tire Pressure Monitor sensors on High Country) | – | – | – | – | ○ | ○ |
| Trailerling equipment – trailer hitch platform, 7-wire harness with independent fused trailerling circuits mated to a 7-way sealed connector, 2-inch trailerling receiver and Hitch Guidance ¹ | ● | ● | ● | ● | ● | ● |
| Transfer case – active, single-speed electronic Autotrac; does not include neutral position for dinghy towing (requires available 4WD) | ○ | ○ | ○ | – | – | – |
| – active, 2-speed electronic Autotrac; includes neutral position for dinghy towing (requires available 4WD and Max Trailerling Package on LS, LT and RST; requires available 4WD on Premier and High Country) | ○ | ○ | ○ | ● | ○ | ○ |
| Transmission – 10-speed automatic, electronically controlled with overdrive and Electronic Precision Shift; includes Traction Select System and Tow/Haul mode | ● | ● | ● | ● | ● | ● |

| | LS | LT | RST | Z71 | PREMIER | HIGH COUNTRY |
|--|----|----|-----|-----|---------|--------------|
| EXTERIOR | | | | | | |
| Active aero grille shutters – upper; included with V8 engine | ● | ● | ● | ● | ● | ● |
| – upper and lower; included with available Duramax 3.0L Turbo-Diesel I-6 engine | ○ | ○ | ○ | – | ○ | ○ |
| Assist steps – Black with chrome accent strip | ● | ● | – | – | ● | ● |
| – Black with gloss Black accents | – | – | ● | – | – | – |
| – Black tubular | – | – | – | ● | – | – |
| – power-retractable with perimeter lighting | – | – | – | – | ○ | ○ |
| Chevrolet bowtie emblems – Gold | ● | ● | – | – | ● | ● |
| – Black | – | – | ● | ● | – | – |
| Daytime running lamps – LED | ● | ● | ● | ● | ● | ● |
| Door handles – body-color | ● | ● | ● | ● | – | – |
| – chrome with body-color strip | – | – | – | – | ● | ● |
| Fascia – front lower, Black with bright chrome accent trim | ● | ● | – | – | ● | – |
| – front lower, Black with gloss Black accent trim | – | – | ● | – | – | – |
| – front lower, high approach angle, gloss Black | – | – | – | ● | – | – |
| – front lower, Black with Galvano accent | – | – | – | – | – | ● |
| Fuel filler – capless fueling | ● | ● | ● | ● | ● | ● |
| Glass – solar-absorbing with acoustic-laminated windshield and deep-tinted rear windows | ● | ● | ● | ● | ● | ● |
| Grille – Black mesh with bright chrome center bar | ● | – | – | – | – | – |
| – Black with Black inserts and bright chrome accents and center bar | – | ● | – | – | – | – |
| – Black with Black Ice chrome inserts, accents and center bar | – | – | ● | – | – | – |
| – Black mesh with Black Ice chrome center bar and unique Z71 badging | – | – | – | ● | – | – |
| – Black with bright chrome inserts and Galvano accents and bright chrome center bar | – | – | – | – | ● | – |
| – Black with Galvano inserts and Godric accents and Galvano center bar | – | – | – | – | – | ● |
| Headlamps – LED, automatic on/off with automatic delay | ● | ● | ● | ● | ● | ● |
| Liftgate – manual | ● | – | – | – | – | – |
| – power, programmable, hands-free with Chevrolet emblem projection | – | ● | ● | ● | ● | ● |
| Liftgate appliqué – bright chrome finish | ● | ● | – | – | ● | – |
| – Black Ice chrome finish | – | – | ● | ● | – | – |
| – Galvano finish | – | – | – | – | – | ● |
| Mirror caps – body-color | ● | ● | ● | ● | – | ● |
| – chrome | – | – | – | – | ● | – |
| Mirrors – heated, power-adjustable, manual-folding | ● | ● | ● | ● | – | – |
| – heated, power-adjustable, power-folding with memory and driver-side auto-dimming features, integrated turn signal indicators and puddle lamps (requires available Luxury Package on LT, RST and Z71) | – | ○ | ○ | ○ | ● | ● |

¹ Safety or driver assistance features are no substitute for the driver's responsibility to operate the vehicle in a safe manner. Read the vehicle Owner's Manual for important feature limitations and information.

● STANDARD ○ AVAILABLE – NOT AVAILABLE

| | LS | LT | RST | Z71 | PREMIER | HIGH COUNTRY |
|---|----|----|-----|-----|---------|--------------|
| EXTERIOR (CONTINUED) | | | | | | |
| Recovery hooks ¹ – Red | – | – | – | ● | – | – |
| Roof rack side rails – bright | ● | ● | – | – | ● | ● |
| – Black | – | – | ● | ● | – | – |
| Taillamps – LED | ● | ● | ● | ● | ● | ● |
| Tire – 17" full-size spare, lockable, mounted under frame at rear | ● | ● | ● | ● | ● | ● |
| Tires – 265/65R18SL all-season | ● | ● | – | – | – | – |
| – 275/60R20SL all-terrain | – | – | – | ● | – | – |
| – 275/60R20SL all-season (requires available 20" painted-aluminum wheels with machined face and Argent Metallic pockets [RD4] on LS and LT) | ○ | ○ | – | – | ● | – |
| – 275/50R22SL all-season (requires available 22" aluminum wheels on LS, LT and Premier) | ○ | ○ | ● | – | ○ | ● |
| Wheels – 18" Bright Silver-painted aluminum (PZX) | ● | ● | – | – | – | – |
| – 20" painted-aluminum with machined face and Argent Metallic pockets (RD4) | ○ | ○ | – | – | – | – |
| – 20" machined-aluminum with Technical Gray pockets (NZU) | – | – | – | ● | – | – |
| – 20" polished-finish aluminum (RD2) | – | – | – | – | ● | – |
| – 22" bright machined high-gloss Black-painted aluminum (SGF) | – | – | ● | – | – | – |
| – 22" polished-aluminum (RVA) | – | – | – | – | ○ | – |
| – 22" Sterling Silver-painted aluminum with chrome inserts (RPT) | – | – | – | – | – | ● |
| – 22" polished-aluminum (SI1) | ○ | ○ | ○ | – | ○ | ○ |
| – 22" 6-spoke Carbon Flash Metallic-painted aluminum with selective machining (SIY) | ○ | ○ | ○ | – | ○ | ○ |
| Wipers – front variable-speed, intermittent with Rainsense; rear intermittent with washer | ● | ● | ● | ● | ● | ● |
| INTERIOR | | | | | | |
| Air conditioning – tri-zone automatic climate controls, with individual climate settings for driver, right-front passenger and rear passengers | ● | ● | ● | ● | ● | ● |
| – rear air conditioning | ● | ● | ● | ● | ● | ● |
| Assist handles – overhead, driver and front passenger | ● | ● | ● | ● | ● | ● |
| – front passenger A-pillar and second-row outboard B-pillar | ● | ● | ● | ● | ● | ● |
| Cargo area – Cargo Management System | ● | ● | ● | ● | ● | ● |
| Console – with storage area and removable storage tray (deleted on LS when available front 40/20/40 split-bench seat is ordered; requires available second-row 60/40 split-folding bench seat on Premier and High Country) | ● | ● | ● | ● | ○ | ○ |
| – power-sliding center console with drawer, secure storage, manual-sliding armrest and cup holders for second row (requires available Luxury Package and second-row bucket seats on LT, RST and Z71; not included with available second-row power-release folding 60/40 split-bench seat on Premier and High Country) | – | ○ | ○ | ○ | ● | ● |
| Cruise control – electronic with Set and Resume Speed | ● | ● | ● | ● | ● | ○ |
| – Adaptive Cruise Control ² (requires available Luxury Package on RST; requires available Enhanced Display and Alert Package, Premium Package or Premium Package 2 on Premier) (see dealer for details or the window label for the features on a specific vehicle) | – | – | ○ | – | ○ | ○ |
| – Super Cruise ³ hands-free driver assistance technology (requires available Advanced Technology Package) | – | – | – | – | ○ | ○ |

| | LS | LT | RST | Z71 | PREMIER | HIGH COUNTRY |
|--|----|----|-----|-----|---------|--------------|
| INTERIOR (CONTINUED) | | | | | | |
| Defogger – electric rear-window | ● | ● | ● | ● | ● | ● |
| Door locks – power programmable with lockout protection and manual rear door child security | ● | ● | ● | ● | ● | ● |
| Driver Information Center – 4.2-inch diagonal color display, includes driver personalization – 12-inch diagonal multi-color digital display with analog speedometer and tachometer | ● | – | – | – | – | – |
| Floor mats – front and second-row carpeted | ● | ● | ● | ● | ● | ● |
| Head-Up Display – 15-inch diagonal multi-color (requires available Enhanced Display and Alert Package on Premier) | – | – | – | – | ○ | ● |
| Keyless Open and Start – includes extended-range Remote Keyless Entry | ● | ● | ● | ● | ● | ● |
| Lighting – interior lighting with door handle or Remote Keyless Entry-activated illuminated entry, cargo area, and front and second-row reading lamps | ● | ● | ● | ● | ● | ● |
| Memory settings – recalls two presets for power driver seat | – | ● | ● | ● | – | – |
| – recalls two presets for power driver seat, outside rearview mirrors, and power tilt and telescopic steering column (requires available Luxury Package on LT, RST and Z71) | – | ○ | ○ | ○ | ● | ● |
| Mirror – rearview, manual day/night | ● | – | – | – | – | – |
| – rearview, auto-dimming | – | ● | ● | ● | ● | – |
| – Rear Camera Mirror ² with washer; auto-dimming (requires available Enhanced Display and Alert Package on Premier) | – | – | – | – | ○ | ● |
| Power outlets – three, one 12-volt in center stack, one 120-volt on rear of center console and one 120-volt in cargo area | ● | ● | ● | ● | ● | ● |
| Rear Seat Reminder ⁴ | ● | ● | ● | ● | ● | ● |
| Remote vehicle starter system | ● | ● | ● | ● | ● | ● |
| Sill plates – front and rear, bright (High Country includes specific logo) | – | ● | ● | ● | ● | ● |
| Steering column – manual tilt and telescopic | ● | ● | ● | ● | – | – |
| – power tilt and telescopic (requires available Luxury Package on LT, RST and Z71) | – | ○ | ○ | ○ | ● | ● |
| Steering wheel – wrapped, with mounted audio, cruise, phone and Driver Information Center controls | ● | ● | ● | ● | ● | ● |
| – heated, automatic (requires available Luxury Package on LT, RST and Z71) | – | ○ | ○ | ○ | ○ | ● |
| Sunroof – panoramic power, dual-pane with power sunshade | – | ○ | ○ | ○ | ○ | ○ |
| Universal Home Remote – programmable, includes garage door opener | – | ● | ● | ● | ● | ● |
| Visors – driver and front passenger, covered illuminated vanity mirrors, sliding | ● | ● | ● | ● | ● | ● |
| Windows – power with driver and front passenger express-up/-down, all others express-down | ● | ● | ● | ● | ● | ● |

¹ To avoid the risk of injury, never use recovery hooks to tow a vehicle. For more information, see the Recovery Hooks section of your Owner's Manual. ² Safety or driver assistance features are no substitute for the driver's responsibility to operate the vehicle in a safe manner. Read the vehicle Owner's Manual for important feature limitations and information. ³ Always pay attention while driving and when using Super Cruise. Do not use a hand-held device. Requires active Super Cruise plan or trial. Terms apply. Visit chevy-supercruise.com for compatible roads and full details. ⁴ Does not detect people or items. Always check rear seat before exiting.

● STANDARD ○ AVAILABLE – NOT AVAILABLE

| | LS | LT | RST | Z71 | PREMIER | HIGH COUNTRY |
|---|----|----|-----|-----|---------|--------------|
| SEATING | | | | | | |
| Seating – 8-passenger with front bucket seats, second-row folding 60/40 split-bench seat and third-row folding 60/40 split-bench seat (requires available Jet Black interior on High Country) | ● | ● | ● | ● | ○ | ○ |
| – 9-passenger with front 40/20/40 split-bench seat (deletes driver inboard seat-mounted side-impact airbag; center floor console and USB ports ²), second-row folding 60/40 split-bench seat and third-row folding 60/40 split-bench seat | ○ | – | – | – | – | – |
| – 7-passenger with front bucket seats, second-row bucket seats and third-row folding 60/40 split-bench seat | – | ○ | ○ | ○ | ● | ● |
| Seats – second-row 60/40 split-bench, manual-folding | ● | ● | ● | ● | – | – |
| – second-row folding 60/40 split-bench, power-release (requires available Luxury Package on LT, RST and Z71; requires available Jet Black interior on High Country; removes power-sliding center console on Premier and High Country) | – | ○ | ○ | ○ | ○ | ○ |
| – second-row bucket, manual-release | – | ○ | – | ○ | – | – |
| – second-row bucket, power-release (requires available LT Signature Package, LT Signature Plus Package or Luxury Package on LT; requires available Luxury Package on RST; requires available Z71 Off-Road Package or Luxury Package on Z71) | – | ○ | ○ | ○ | ● | ● |
| – third-row 60/40 split-bench, manual-folding | ● | ● | ● | ● | – | – |
| – third-row 60/40 split-bench, power-folding (requires available Luxury Package on LT, RST and Z71) | – | ○ | ○ | ○ | ● | ● |
| Seat – driver 10-way power adjuster with power lumbar control | ● | ● | ● | ● | ● | ● |
| – front passenger 8-way power adjuster with power lumbar control | ● | – | – | – | – | – |
| – front passenger 10-way power adjuster with power lumbar control | – | ● | ● | ● | ● | ● |
| Heated seats – driver and front passenger | – | ● | ● | ● | – | – |
| Heated and ventilated seats – driver and front passenger (feature will not function on certain Premier models without dealer retrofit; see dealer or window label for details) | – | – | – | – | ○ | ● |
| Heated second-row outdoor seating positions (requires available Luxury Package on LT, RST and Z71) | – | ○ | ○ | ○ | ● | ● |

| | LS | LT | RST | Z71 | PREMIER | HIGH COUNTRY |
|--|----|----|-----|-----|---------|--------------|
| ENTERTAINMENT | | | | | | |
| Chevrolet Infotainment 3 system ³ with 8-inch diagonal color touch-screen, AM/FM stereo, Bluetooth [®] audio streaming ⁴ for two active devices and wireless Apple CarPlay ^{®5} and wireless Android Auto ^{™6} compatibility | ● | – | – | – | – | – |
| Chevrolet Infotainment 3 Premium system ³ with 10.2-inch diagonal HD color touch-screen and Google built-in ⁷ compatibility, AM/FM stereo, Bluetooth audio streaming ⁴ for two active devices, wireless Apple CarPlay ⁵ and wireless Android Auto ⁶ compatibility, voice recognition and available In-Vehicle Apps ⁸ | – | ● | ● | ● | ● | ● |
| Audio – 6-speaker system | ● | – | – | – | – | – |
| – Bose 9-speaker sound system | – | ● | ● | ● | – | – |
| – Bose 10-speaker surround sound system with Centerpoint | – | – | – | – | ● | ● |
| Media – two USB ports ² on center stack, two USB ports ² in center console, two USB ports ² in second row on rear of center console, and two USB ports ² in third row | ● | ● | ● | ● | ● | ● |
| Rear-Seat Media System – dual rear seat-mounted 12.6-inch diagonal LCD HD color touch-screens, Wi-Fi [®] wireless projection capability, two Bluetooth headphones and two HDMI ports on rear of center console | – | ○ | ○ | ○ | ○ | ○ |
| SiriusXM [®] with 360L ⁹ – 3-month trial subscription to SXM Platinum Plan | ● | ● | ● | ● | ● | ● |
| Available Wi-Fi Hotspot ¹⁰ for up to seven devices, includes 1-month Unlimited Data Plan | ○ | ○ | ○ | ○ | ○ | ○ |
| Chevrolet Connected Access ¹¹ with up to 10 years of standard connectivity, which currently enables features such as Vehicle Diagnostics and Dealer Maintenance Notification | ● | ● | ● | ● | ● | ● |
| Wireless charging ¹² (feature will not function on certain models; see dealer for details or the window label for features on a specific vehicle) | – | ○ | ○ | ○ | ○ | ○ |

1 A NOTE ON CHILD SAFETY: Always use seat belts and the correct child restraint for your child's age and size, even with airbags. Even in vehicles equipped with the Passenger Sensing System, children are safer when properly secured in a rear seat in the appropriate infant, child or booster seat. Never place a rear-facing infant restraint in the front seat of any vehicle equipped with an active frontal airbag. See your vehicle Owner's Manual and the child safety seat instructions for more safety information.
2 Not compatible with all devices. **3** Chevrolet Infotainment System functionality varies by model. Full functionality requires compatible Bluetooth and smartphone, and USB connectivity for some devices. **4** Go to my.chevrolet.com/learnAbout/bluetooth to find out which phones are compatible with the vehicle. Full Bluetooth feature functionality varies by device, model and software version. **5** Vehicle user interface is a product of Apple and its terms and privacy statements apply. Requires compatible iPhone and data plan rates apply. **6** Vehicle user interface is a product of Google and its terms and privacy statements apply. To use Android Auto on your car display, you'll need an Android phone running Android 6 or higher, an active data plan, and the Android Auto app. **7** Google built-in services are subject to limitations and availability may vary by vehicle, infotainment system and location. Select service plan required. Certain Google actions and functionality may require account linking. User terms and privacy statements apply. **8** Third-party trademarks are the property of their respective third-party owners and used under agreement. Requires active service plan and paid AT&T vehicle data plan. Visit onstar.com for details and limitations. **9** If you decide to continue service after your trial, your selected subscription plan will automatically renew thereafter. You will be charged at then-current rates. Fees and taxes apply. To cancel you must call SiriusXM at 1-866-635-2349. See SiriusXM Customer Agreement for complete terms at siriusxm.com. All fees and programming subject to change. Certain features require a SiriusXM subscription and the Chevrolet Connected Access plan. See siriusxm.com and onstar.com for details and limitations. **10** Service varies with conditions and location. Requires active service and paid AT&T data plan. Visit onstar.com for details and limitations. Availability subject to change. **11** Standard connectivity available only to original purchaser for up to 10 years. Connected Access services are subject to change. Does not include emergency or security services. Diagnostic capabilities vary by model and service plan. Message and data rates may apply. Requires contact method on file and enrollment to receive alerts. Not all issues will deliver alerts. Visit onstar.com for details and limitations. **12** The system wirelessly charges one compatible mobile device. Some phones have built-in wireless charging technology and others require a special adaptor/back cover. To check for phone or other device compatibility, see my.chevrolet.com/learn or consult your carrier.

Available packages

● STANDARD ○ AVAILABLE – NOT AVAILABLE

| | LS | LT | RST | Z71 | PREMIER | HIGH COUNTRY |
|---|----|----|-----|-----|---------|--------------|
| MECHANICAL | | | | | | |
| Advanced Trailerling Package | ○ | ○ | ○ | ○ | ○ | ○ |
| Hitch View ¹ ; integrated trailer brake controller and Smart Trailer Integration Indicator; includes Trailer Side Blind Zone Alert ¹ on Premier and High Country; Hitch View and Smart Trailer Integration Indicator not included on LS (requires available Max Trailerling Package) | | | | | | |
| Max Trailerling Package | ○ | ○ | ○ | ○ | ○ | ○ |
| Advanced Trailerling Package and extra-capacity cooling system; includes Autotrac 2-speed active transfer case on LS, LT and RST 4WD models (extra-capacity cooling system not included with available Duramax 3.0L Turbo-Diesel I-6 engine) | | | | | | |
| Sport Performance Package | – | – | ○ | – | – | – |
| 6.2L EcoTec3 V8 engine, Magnetic Ride Control suspension and dual exhaust system with dual twin polished stainless steel tips | | | | | | |
| Off-Road Capability Package | – | – | – | ○ | – | – |
| Magnetic Ride Control suspension, Air Ride Adaptive suspension and electronic Limited-Slip Differential (eLSD) (requires available Max Trailerling Package and Luxury Package) | | | | | | |
| Off-Road Performance Package | – | – | – | ○ | – | – |
| 6.2L EcoTec3 V8 engine and dual exhaust system with dual twin polished stainless steel tips (requires available Off-Road Capability Package, Max Trailerling Package and Luxury Package) | | | | | | |
| INTERIOR | | | | | | |
| Driver Alert Package¹ | ○ | ○ | ○ | ○ | – | – |
| Lane Change Alert with Side Blind Zone Alert and Rear Cross Traffic Alert (requires available Luxury Package on LT, RST and Z71) | | | | | | |
| Luxury Package | – | ○ | ○ | ○ | – | – |
| Driver Alert Package, HD Surround Vision ¹ ; Rear Pedestrian Alert ¹ ; memory settings, outside heated power-adjustable power-folding mirrors with memory, driver-side auto-dimming feature and integrated turn signal indicators, power tilt and telescopic steering column, second-row folding 60/40 split-bench seat with power-release, third-row power-folding 60/40 split-bench seat, second-row outboard heated seats and automatic heated steering wheel (includes Adaptive Cruise Control ¹ and Enhanced Automatic Emergency Braking ¹ on RST) | | | | | | |
| LT Signature Package | – | ○ | – | – | – | – |
| Luxury Package, Max Trailerling Package, 20" painted-aluminum wheels with machined face and Argent Metallic pockets (RD4), 275/60R20SL all-season tires and panoramic dual-pane power sunroof | | | | | | |

| | LS | LT | RST | Z71 | PREMIER | HIGH COUNTRY |
|--|----|----|-----|-----|---------|--------------|
| INTERIOR (CONTINUED) | | | | | | |
| LT Signature Plus Package | – | ○ | – | – | – | – |
| Luxury Package, 20" painted-aluminum wheels with machined face and Argent Metallic pockets (RD4), 275/60R20SL all-season tires and panoramic dual-pane power sunroof | | | | | | |
| Texas Edition | – | ○ | – | – | ○ | – |
| Texas Edition badging; includes 22" polished-aluminum wheels (RVA) and 275/50R22SL all-season tires on Premier (requires available LT Signature Package, LT Signature Plus Package or Luxury Package on LT) | | | | | | |
| Z71 Off-Road Package | – | – | – | ○ | – | – |
| Luxury Package, Max Trailerling Package and Off-Road Capability Package | | | | | | |
| Enhanced Display and Alert Package | – | – | – | – | ○ | – |
| HD Surround Vision ¹ ; Head-Up Display, Rear Camera Mirror ¹ with washer and Rear Pedestrian Alert ¹ | | | | | | |
| Advanced Technology Package | – | – | – | – | ○ | ○ |
| Super Cruise ² hands-free driver assistance technology, Enhanced Automatic Parking Assist ¹ and Reverse Automatic Braking ¹ ; includes Enhanced Display and Alert Package, Adaptive Cruise Control ¹ and Enhanced Automatic Emergency Braking ¹ on Premier; requires choice of available 6.2L EcoTec3 V8 engine or Duramax 3.0L Turbo-Diesel engine on Premier and High Country (requires available Max Trailerling Package and Rear-Seat Media System) | | | | | | |
| Premium Package | – | – | – | – | ○ | ○ |
| Max Trailerling Package and panoramic dual-pane power sunroof; includes Enhanced Display and Alert Package and Adaptive Cruise Control ¹ on Premier; includes power-retractable assist steps with perimeter lighting on High Country | | | | | | |
| Premium Package 2 | – | – | – | – | ○ | ○ |
| Panoramic dual-pane power sunroof; includes Enhanced Display and Alert Package and Adaptive Cruise Control ¹ on Premier; includes power-retractable assist steps with perimeter lighting on High Country | | | | | | |
| High Country Deluxe | – | – | – | – | – | ○ |
| Max Trailerling Package, Air Ride Adaptive suspension, panoramic dual-pane power sunroof and power-retractable assist steps with perimeter lighting | | | | | | |

¹ Safety or driver assistance features are no substitute for the driver's responsibility to operate the vehicle in a safe manner. Read the vehicle Owner's Manual for important feature limitations and information. ² Always pay attention while driving and when using Super Cruise. Do not use a hand-held device. Requires active Super Cruise plan or trial. Terms apply. Visit chevysupercruise.com for compatible roads and full details.

MAXIMUM CAPACITIES

| | | 2WD | 4WD | |
|---------------------------|--|-----------------------------------|------------|------------|
| Fuel tank (approximate) | 28 gallons | | | |
| Seating | LS: seats 8, option for 9 LT, RST and Z71: seats 8, option for 7 Premier and High Country: seats 7, option for 8 | | | |
| Cargo volume ¹ | Behind third-row seat: 41.5 cu. ft. | | | |
| | With third-row seat folded: 93.8 cu. ft. | | | |
| | With second- and third-row seats folded: 144.7 cu. ft. | | | |
| | Maximum trailable weight ratings ³ | 5.3L | 7,800 lbs. | 7,600 lbs. |
| | | 5.3L with Max Trailerling Package | 8,300 lbs. | 8,000 lbs. |
| | | 6.2L | 7,700 lbs. | 7,400 lbs. |
| | 6.2L with Max Trailerling Package | 8,200 lbs. | 7,900 lbs. | |
| | 3.0L | 8,000 lbs. | 7,800 lbs. | |
| | 3.0L with Max Trailerling Package | 8,000 lbs. | 7,800 lbs. | |

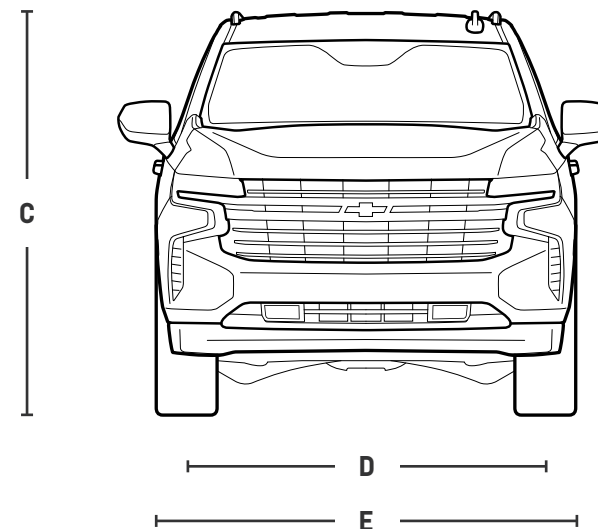
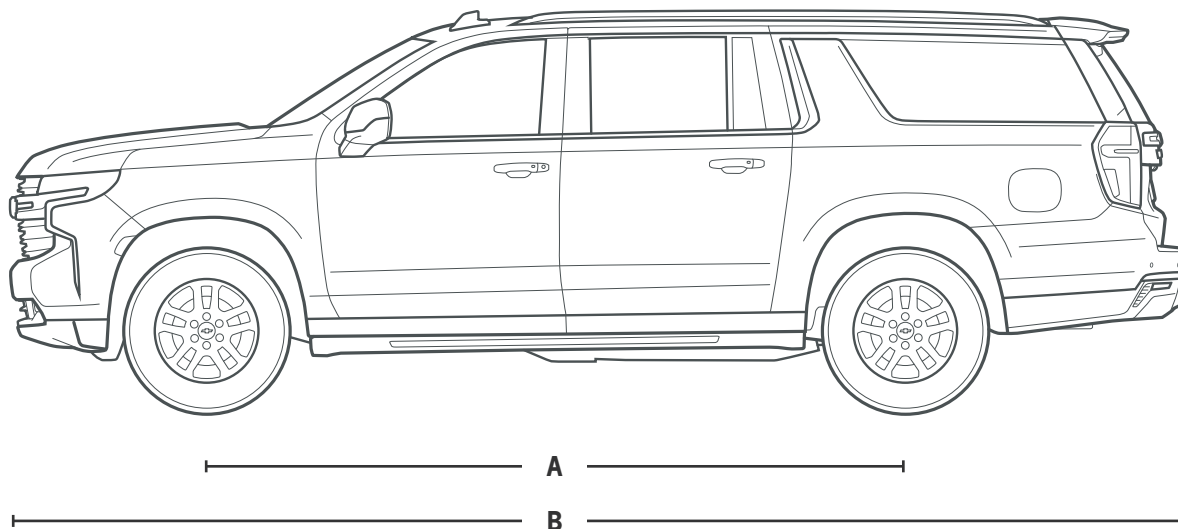
EPA-ESTIMATED FUEL ECONOMY

| | |
|----------------------------|------------------------------------|
| 5.3L V8 2WD – regular fuel | 15 MPG city/20 highway/17 combined |
| 5.3L V8 4WD – regular fuel | 15 MPG city/19 highway/16 combined |
| 6.2L V8 2WD – premium fuel | 14 MPG city/20 highway/16 combined |
| 6.2L V8 4WD – premium fuel | 14 MPG city/18 highway/16 combined |
| 3.0L 2WD | 21 MPG city/27 highway/23 combined |
| 3.0L 4WD | 20 MPG city/26 highway/22 combined |

DIMENSIONS

| | | | |
|---------------|--------|-----------------|-------|
| A – Wheelbase | 134.1" | D – Front track | 68.5" |
| B – Length | 225.7" | E – Width | 81.1" |
| C – Height | 75.7" | Rear track | 68.3" |

| | |
|---|-------------------|
| Head room (first row/second row/third row) | 42.3"/38.9"/38.2" |
| Head room with sunroof (first row/second row/third row) | 40.4"/37.5"/38.2" |
| Leg room (first row/second row/third row) | 44.5"/42.0"/36.7" |
| Shoulder room (first row/second row/third row) | 66.0"/64.8"/62.8" |
| Hip room (first row/second row/third row) | 61.5"/61.3"/49.4" |



¹ Cargo and load capacity limited by weight and distribution. ² These maximum payload ratings are intended for comparison purposes only. Before you buy a vehicle or use it to haul people or cargo, carefully review the Vehicle Loading section of the Owner's Manual and check the carrying capacity of your specific vehicle on the label on the inside of the driver door jamb. ³ Maximum trailerling ratings are intended for comparison purposes only. Before you buy a vehicle or use it for trailerling, carefully review the Trailerling section of the Owner's Manual. The trailerling capacity of your specific vehicle may vary. The weight of passengers, cargo and options or accessories may reduce the amount you can trailer.



Roof Rack Cross Rail Package in Black
available from Chevrolet Accessories!



Premium All-Weather Floor Liners
in Jet Black with Chevrolet Script
available from Chevrolet Accessories!



Premium Carpeted Cargo Area Mat in
Jet Black with Integrated Cargo Bin
available from Chevrolet Accessories!



22" Multi-Spoke Black Aluminum
Wheels with Select Machining
available from Chevrolet Accessories!



Important information.

You may be discovering Chevrolet through a personalized online shopping experience or enjoying every year of vehicle ownership. Either way, we're committed to providing the tools and programs you need to help you get the most out of your journey.

Build & Price >

Create your perfect Chevrolet from start to finish.

Chevy MyWay¹ >

Engage in a real-time virtual video experience with a Chevy product specialist.

Chevrolet Complete Care >

Enjoy an owner benefit program that provides excellent service and support from day one.

My Chevrolet Rewards² >

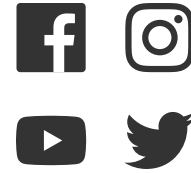
Unlock a world of appreciation that's all about you and your Chevrolet. Start earning and redeeming today.

Chevy Truck Legends >

Honoring our dependable, long-lasting trucks and the people who keep them going strong.

Limited Warranty Coverage >

Discover all the ways Chevrolet is committed to providing an excellent ownership experience.



GM, the GM logo, Chevrolet, the Chevrolet logo, and the slogans, emblems, vehicle model names, vehicle body designs and other marks appearing in this brochure are the trademarks and/or service marks of General Motors, its subsidiaries, affiliates or licensors. ©2022 OnStar LLC. All rights reserved. Sirius, XM, SiriusXM and all related marks and logos are trademarks of Sirius XM Radio Inc. Apple CarPlay, iPhone, Siri and Apple Music are trademarks of Apple Inc., registered in the U.S. and other countries. The Bluetooth word mark is a registered trademark owned by Bluetooth SIG, Inc., and any use of such mark by Chevrolet is under license. Bose and Centerpoint are registered trademarks of the Bose Corp. Google, Android and Android Auto are trademarks of Google LLC.

©2022 General Motors. All rights reserved. November 2022

FIND NEW ROADS™

CHEVROLET.COM

¹ Chevy MyWay is available to anyone over 18 in the United States to access and experience via chevrolet.com/myway. ² Must be 18 years or older. Points may be earned and redeemed only at GM entities, My Chevrolet Rewards participating dealers or third party retailers in the United States (excluding Puerto Rico, the U.S. Virgin Islands or Guam). Points are not earned on taxes, fees or body shop repair orders and expire without further notice upon Member Account deactivation. Visit myChevroletrewards.com to view My GM Rewards Terms & Conditions.